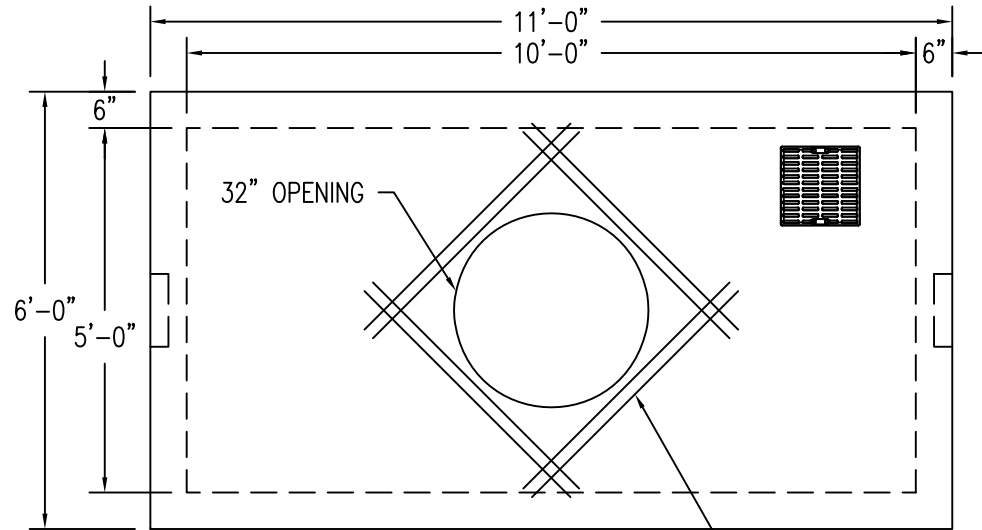


UTILITY VAULT 5' x 10'

ITEM #B-1201

WEIGHT - TOP 13,000 LBS BOTTOM - 13,000 LBS

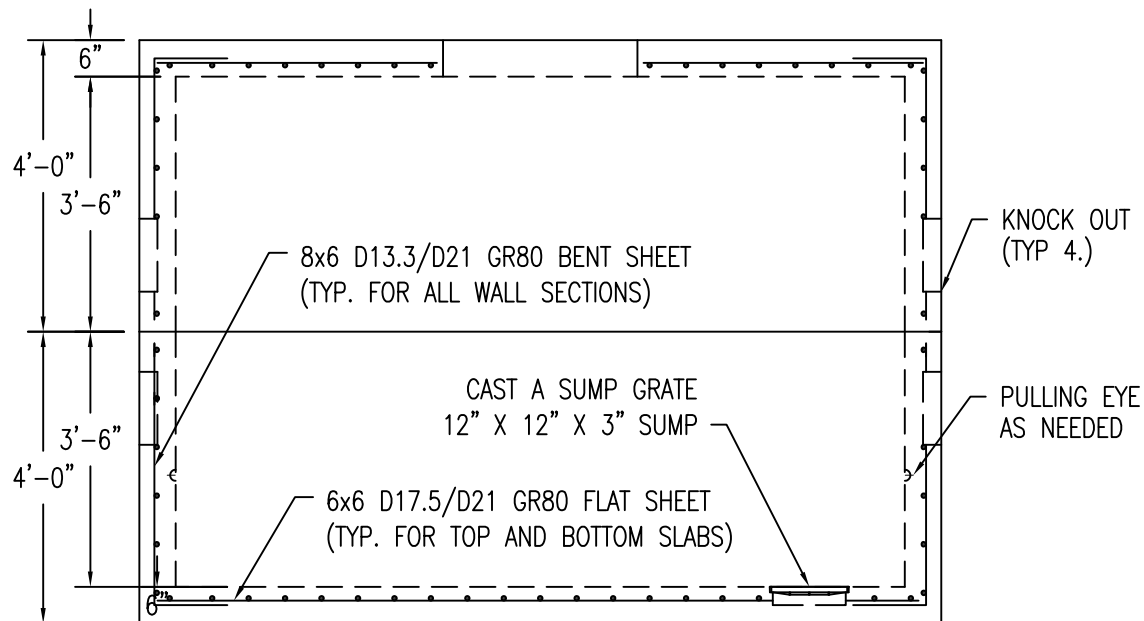


TOP VIEW

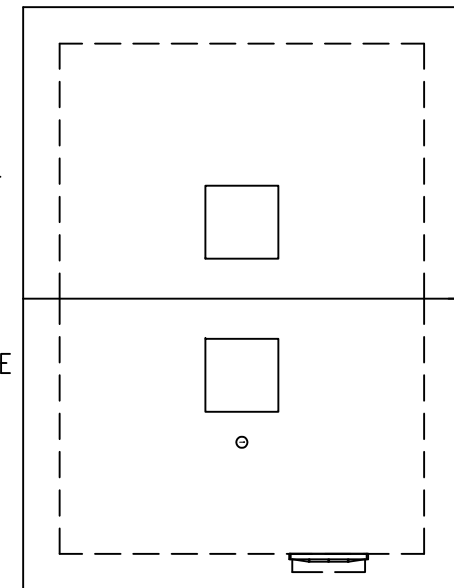
ADDITIONAL #5 BARS
AROUND OPENING

DESIGN NOTES:

- 1 - CONCRETE 5000 PSI AT 28 DAYS.
- 2 - H-20 LOADING.
- 3 - PULLING EYES, DUCT OPENINGS, AND KNOCK OUTS CAST IN AS REQUIRED.
- 4 - JOINTS SEALED WITH BUTYL RUBBER JOINT SEALANT. AASHTO M-19
- 5 - UNITED STATES FOUNDRIES MODEL #4044-B FRAME & COVER.



FRONT VIEW



SIDE VIEW