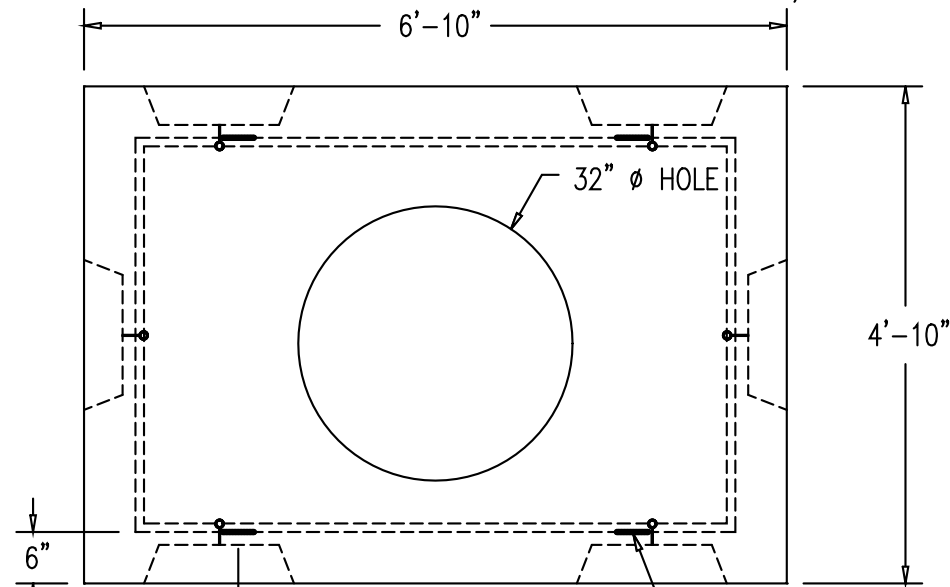


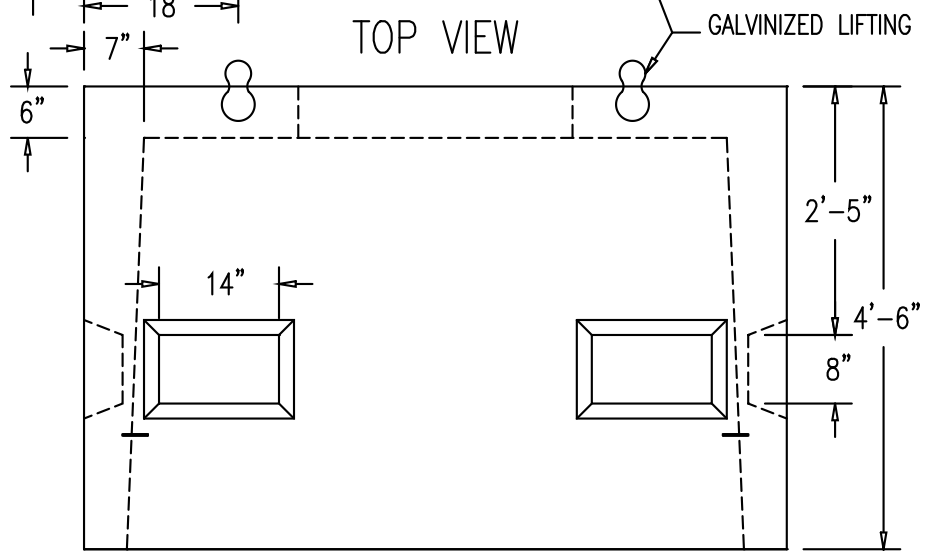
HEAVY DUTY 4' x 6' SPLICE BOX

ITEM #B-13

WEIGHT - 8,500 LBS BASE SLAB 2,700 LBS



TOP VIEW

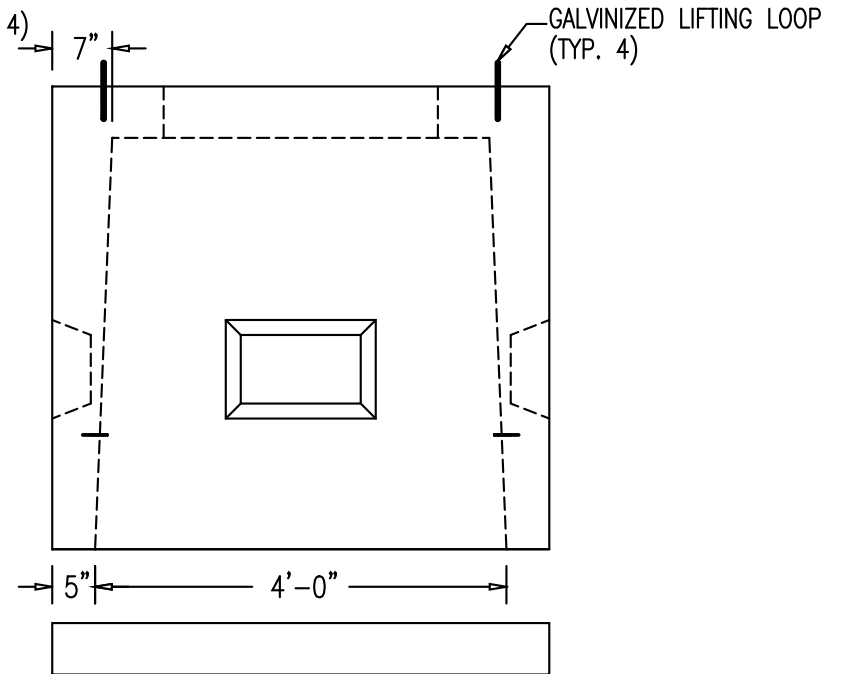


FRONT VIEW

OPTIONAL BASE SLAB

DESIGN NOTES:

- 1 - CONCRETE 4000 PSI AT 28 DAYS.
- 2 - REINFORCED WITH GRADE 40 REBAR:
 - 4x4 W4/W4 WWF MESH IN WALLS
 - #4 @ 12" O.C. HORIZONTALLY IN WALLS.
 - #6 @ 6" O.C. EACH WAY IN TOP.
 - 12 PIECES OF #5 SURROUNDING OPENING DIAGONALLY.
- 3 - OPENINGS SIZED FOR 4" & 6" CONDUIT.
- 4 - MEETS ALL CMP SPECIFICATIONS.
- 5 - SUITABLE FOR PRIMARY CABLE INSTALLATIONS.
- 6 - UNITED STATES FOUNDRIES MODEL #4044-A
32" ϕ FRAME & COVER.
- 7 - 3/4" ID PULL-EYE BELOW EACH KNOCKOUT.



SIDE VIEW