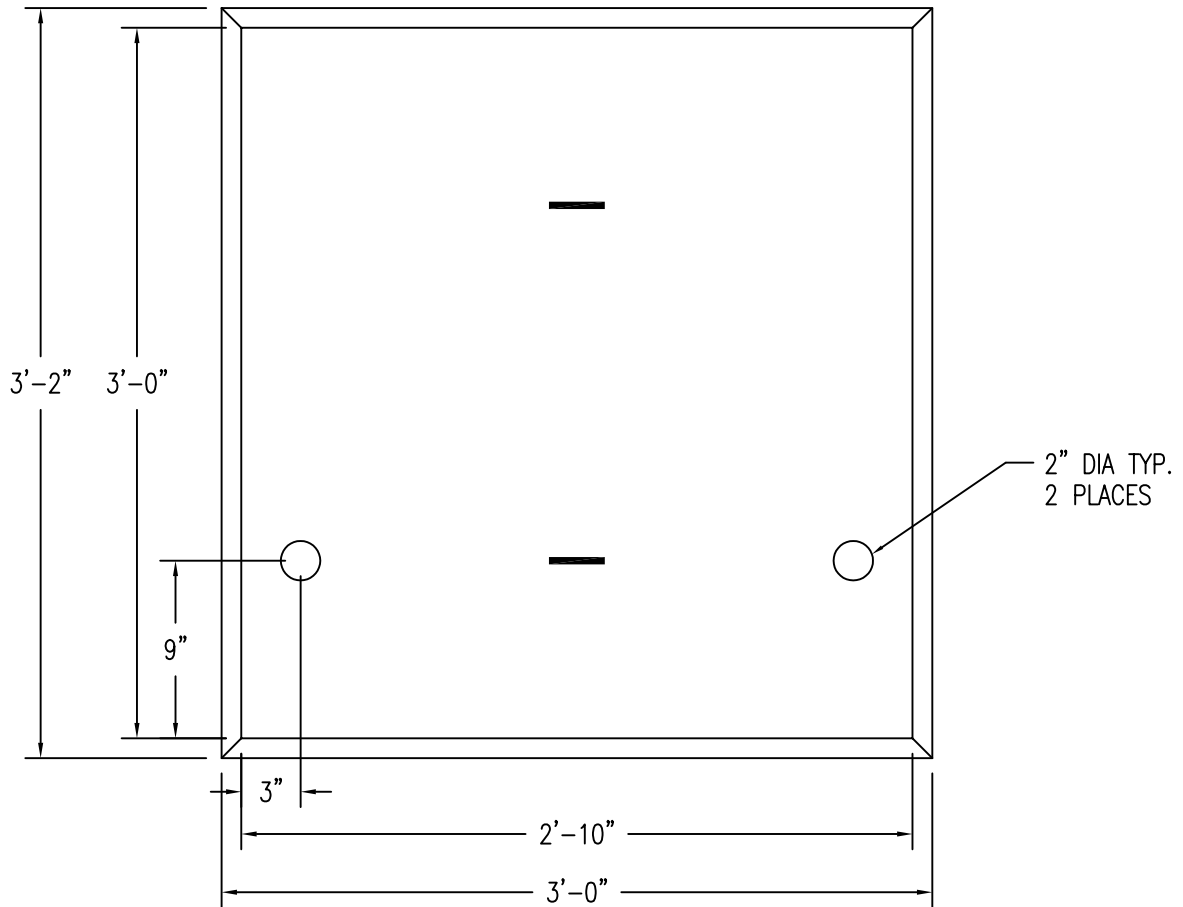
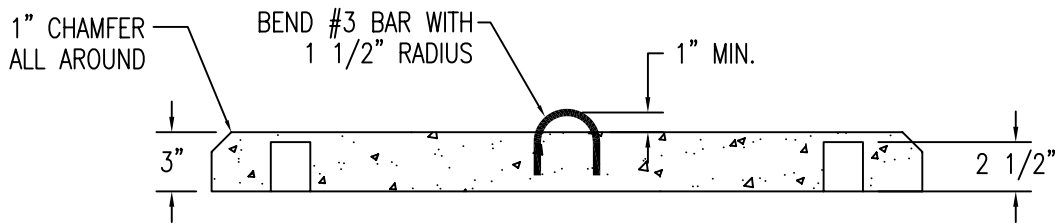


# CMP RESIDENTIAL TRANSFORMER PAD COVER

ITEM #B-1C  
WEIGHT - 350 LBS



TOP VIEW (FRONT)



SECTION VIEW

### DESIGN NOTES:

- 1 - CONCRETE 4000 PSI AT 28 DAYS.
- 2 - REINFORCING: 6 - #3 BARS EQUALLY SPACED BOTH DIRECTIONS