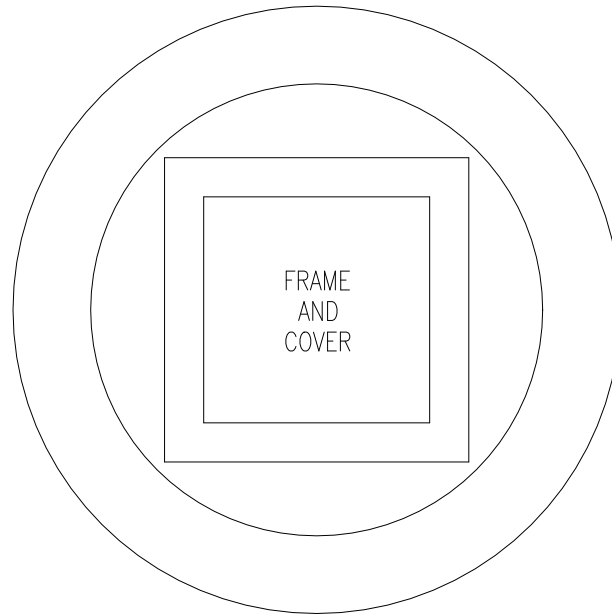


# 4' DIA CATCH BASIN (8" WALL)

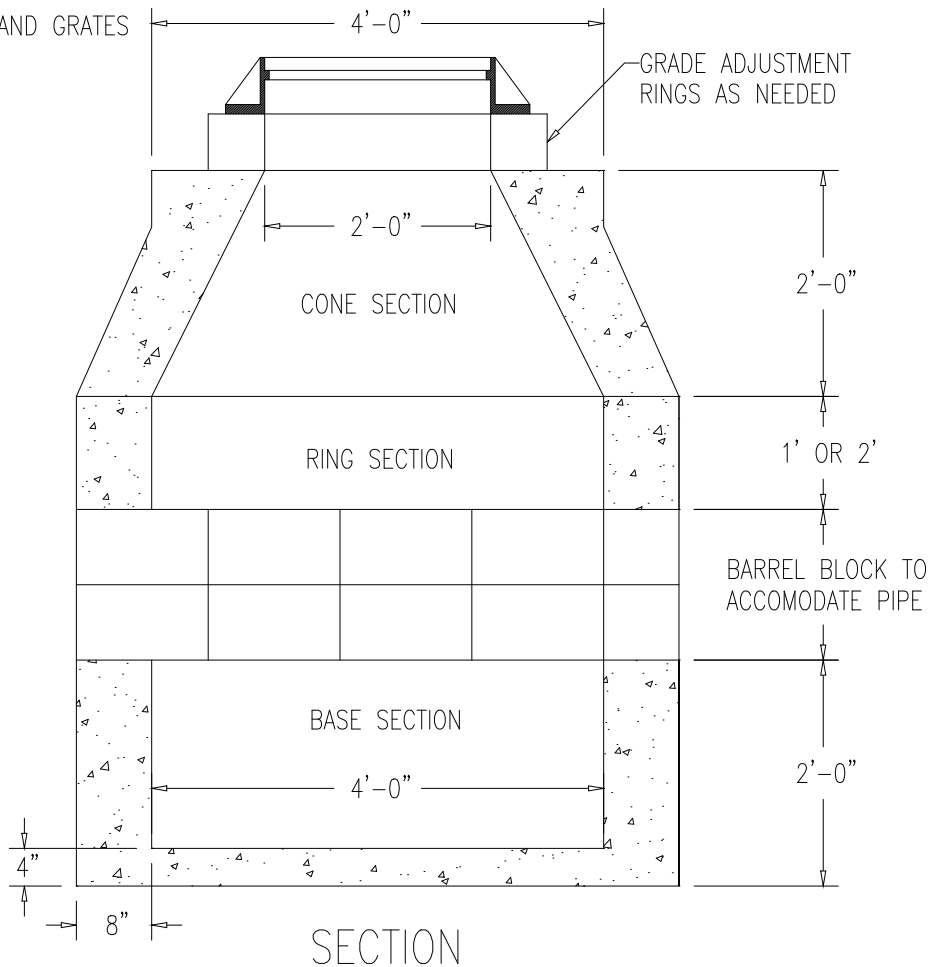
ITEM #C-2  
WEIGHT - VARIES WITH HEIGHT



PLAN

## NOTES:

- 1 - CONCRETE 4000 PSI AT 28 DAYS.
- 2 - HAUNCHED CONE TO RECEIVE EITHER ROUND OR SQUARE FRAMES AND GRATES.
- 3 - HOLES CAN BE CAST OR CUT IN RING OR BASE SECTION.
- 4 - BARREL BLOCK AND FRAMES AND GRATES AVAILABLE.



SECTION