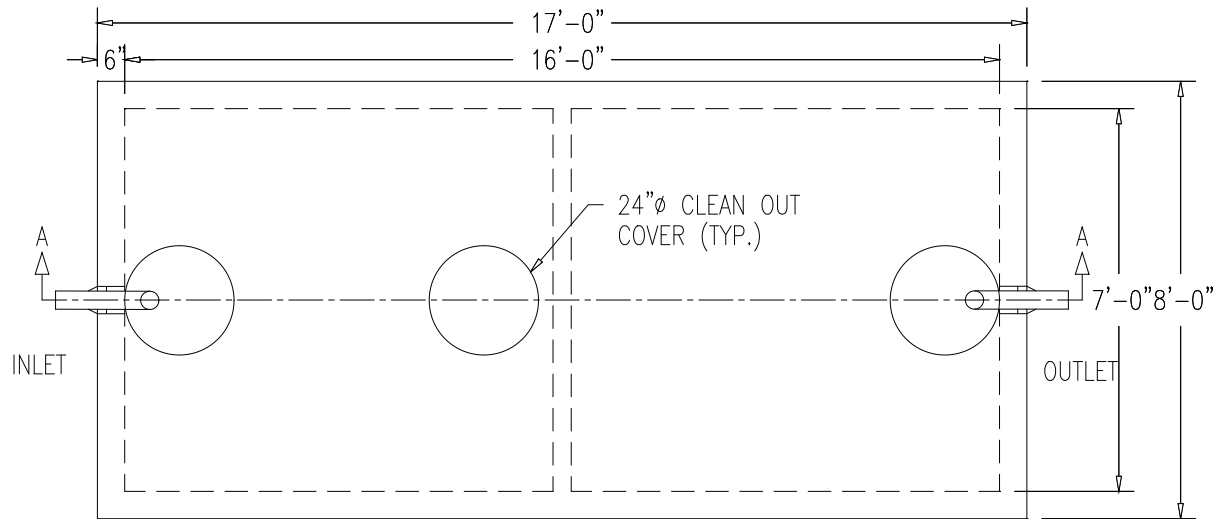


COMMERCIAL SINGLE SERIES SEPTIC TANK

ITEM #C-7

WEIGHT - VARIES DEPENDING ON SIZE

ITEM #	GALLONS	A	B	C
C-701	2,000	4'-9 1/2"	2'-7 1/2"	3'-4 1/2"
C-702	2,500	5'-5 1/2"	3'-3 1/2"	4'-0 1/2"
C-703	3,000	6'-0 1/2"	3'-10 1/2"	4'-7 1/2"
C-704	4,000	7'-1 1/2"	4'-11 1/2"	5'-8 1/2"
C-705	4,500	7'-9 1/2"	5'-7 1/2"	6'-4 1/2"
C-706	5,000	8'-5 1/2"	6'-3 1/2"	7'-0 1/2"
C-707	5,500	9'-0 1/2"	6'-10 1/2"	7'-7 1/2"
C-708	6,000	9'-7 1/2"	7'-5 1/2"	8'-2 1/2"
C-709	6,500	10'-1 1/2"	7'-11 1/2"	8'-8 1/2"
C-710	7,000	10'-9 1/2"	8'-7 1/2"	9'-4 1/2"
C-711	7,500	11'-5 1/2"	9'-3 1/2"	10'-0 1/2"
C-712	8,000	12'-0 1/2"	9'-10 1/2"	10'-7 1/2"

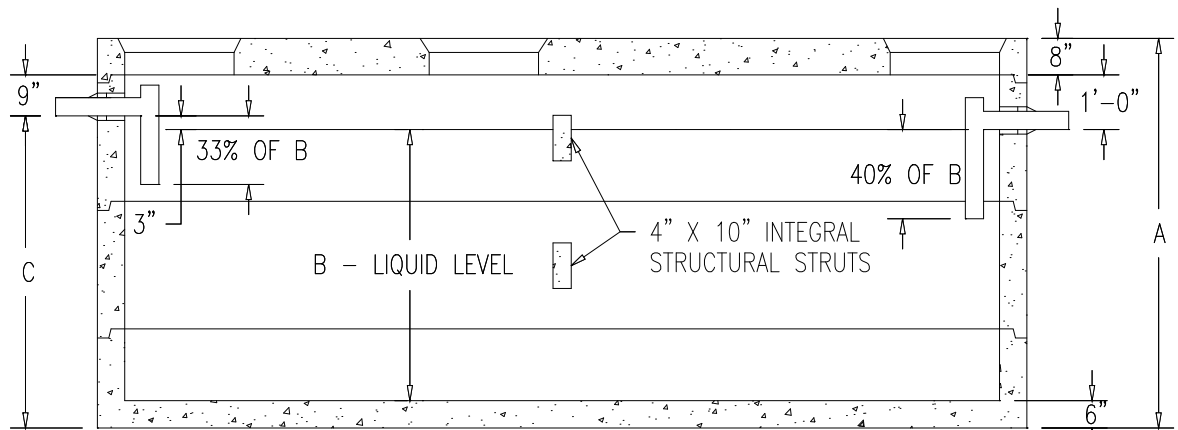


PLAN VIEW

DESIGN NOTES:

- 1 - CONCRETE 5000 PSI AT 28 DAYS.
- 2 - FOR TEES LARGER THAN 4" THE INVERT HEIGHT WILL CHANGE.
- 3 - SHIPLAP JOINTS ARE SEALED WITH A 2 x 1 1/4" STRIP OF ASPHALTIC BUTYL RUBBER.

STANDARD COVER: H-10 WHEEL LOADING
 NO. 4'S @ 6" O.C. TRANSVERSELY
 NO. 4'S @ 12" O.C. LONGITUDINALLY
 HEAVY DUTY COVER: H-20 WHEEL LOADING
 NO. 5'S @ 8" O.C. TRANSVERSELY
 NO. 6'S @ 8" O.C. LONGITUDINALLY
 BASE: NO. 4'S @ 6" TRANSVERSELY
 NO. 4'S @ 12" O.C. LONGITUDINALLY
 SIDES: NO. 4'S @ 8" O.C. HORIZONTALLY
 NO. 3'S @ 12" O.C. VERTICALLY
 STRUTS: 2 NO. 5'S



SECTION VIEW AA

ITEM	WEIGHT
BASE	15,000 LBS
3'-7" RISER	12,900 LBS
3'-0" RISER	10,800 LBS
2'-4" RISER	8,400 LBS
TOP	13,600 LBS