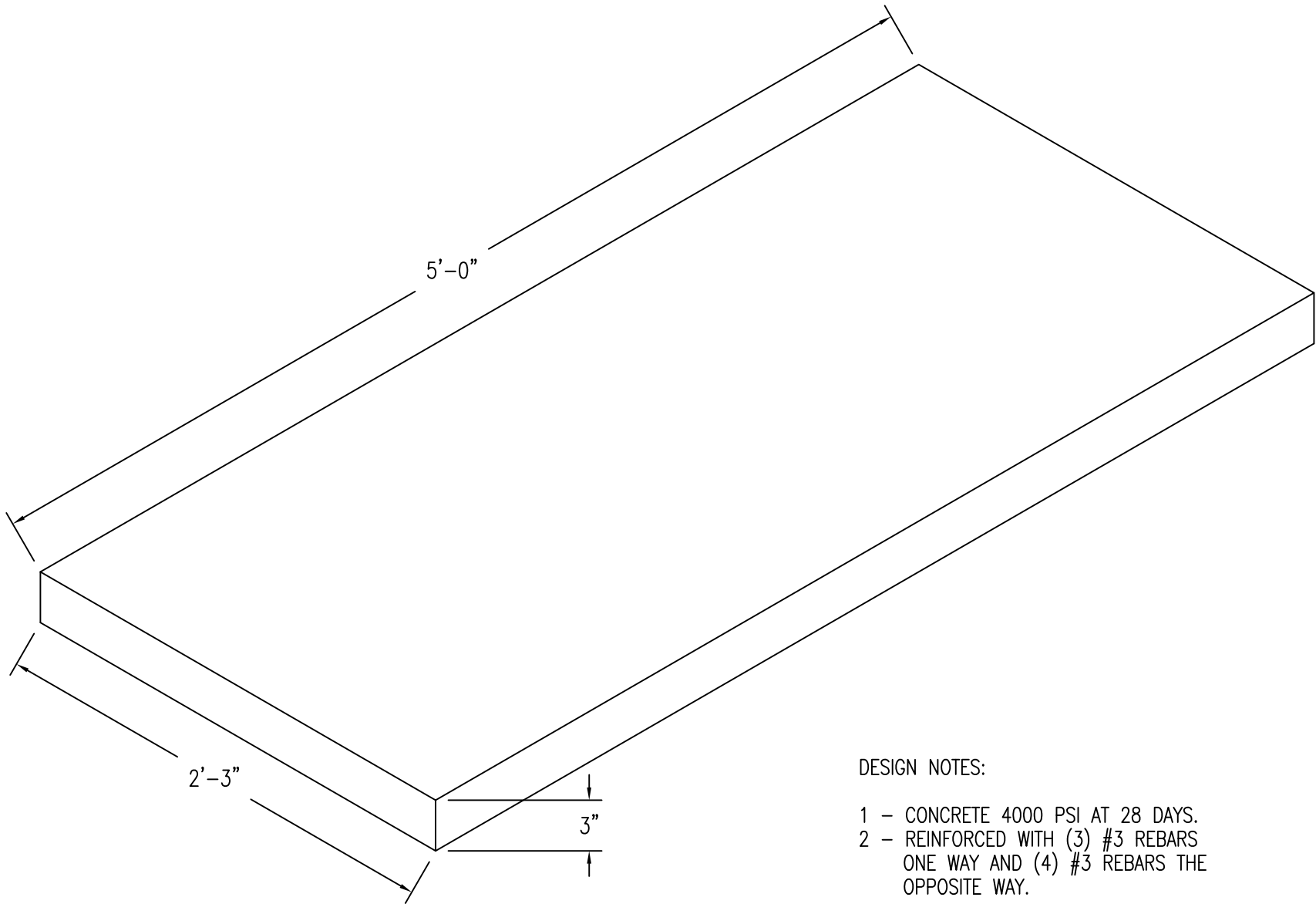


OIL TANK SLAB

ITEM #F-201
WEIGHT 425 LBS



DESIGN NOTES:

- 1 - CONCRETE 4000 PSI AT 28 DAYS.
- 2 - REINFORCED WITH (3) #3 REBARS ONE WAY AND (4) #3 REBARS THE OPPOSITE WAY.