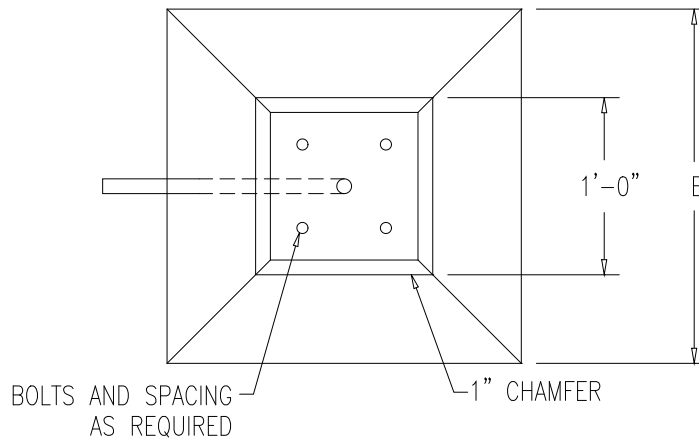


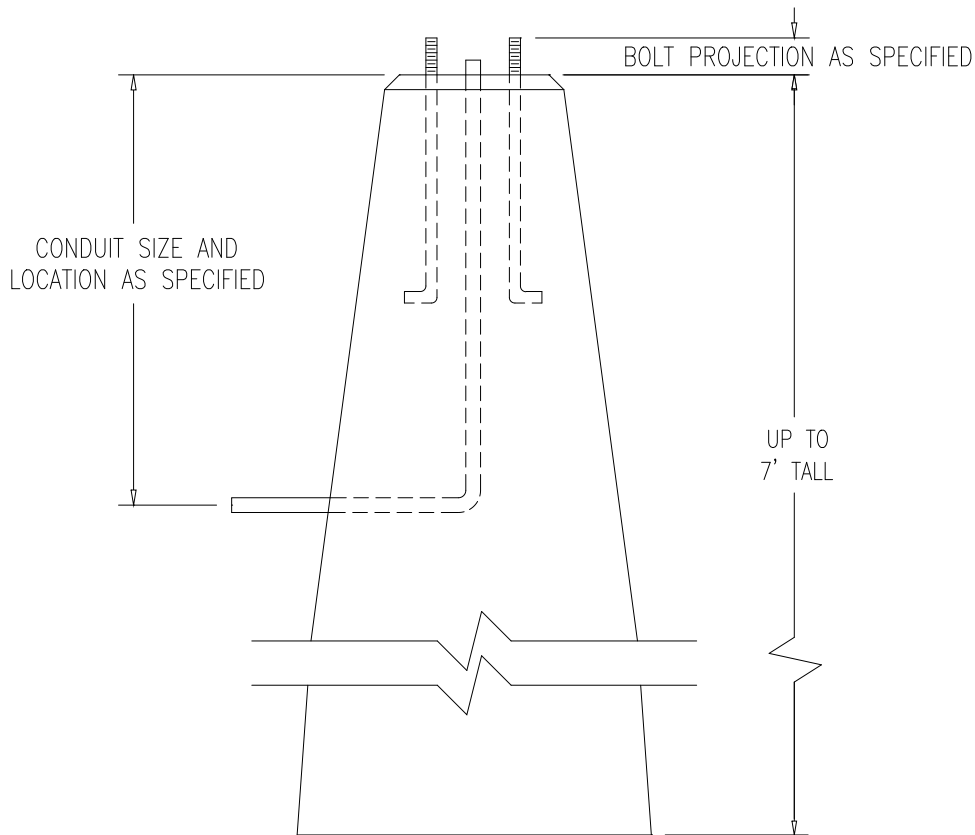
# 12" SQUARE/TAPERED LIGHT POLE BASE

ITEM #B-6

WEIGHT - SEE CHART BELOW



TOP VIEW



FRONT VIEW

DESIGN NOTES:

- 1 - CONCRETE 4000 PSI AT 28 DAYS.
- 2 - REINFORCING IS AS SPECIFIED. (TYP. 4 - #4 VERTICALLY AND #3 STIRRUPS 12" O.C. HORIZONTALLY)
- 3 - ANCHOR BOLTS AND GROUNDING AS SPECIFIED.
- 4 - BALLAST POURED AROUND BASE IF REQUIRED.
- 5 - BASE HEIGHTS ARE ADJUSTED FROM BOTTOM UP. (SEE CHART)

HEIGHT	B	WEIGHT	ITEM #
4' TALL	19" SQ.	1,052 LBS	B-64
5' TALL	21" SQ.	1,524 LBS	B-65
6' TALL	22" SQ.	1,963 LBS	B-66
7' TALL	24" SQ.	2,625 LBS	B-67