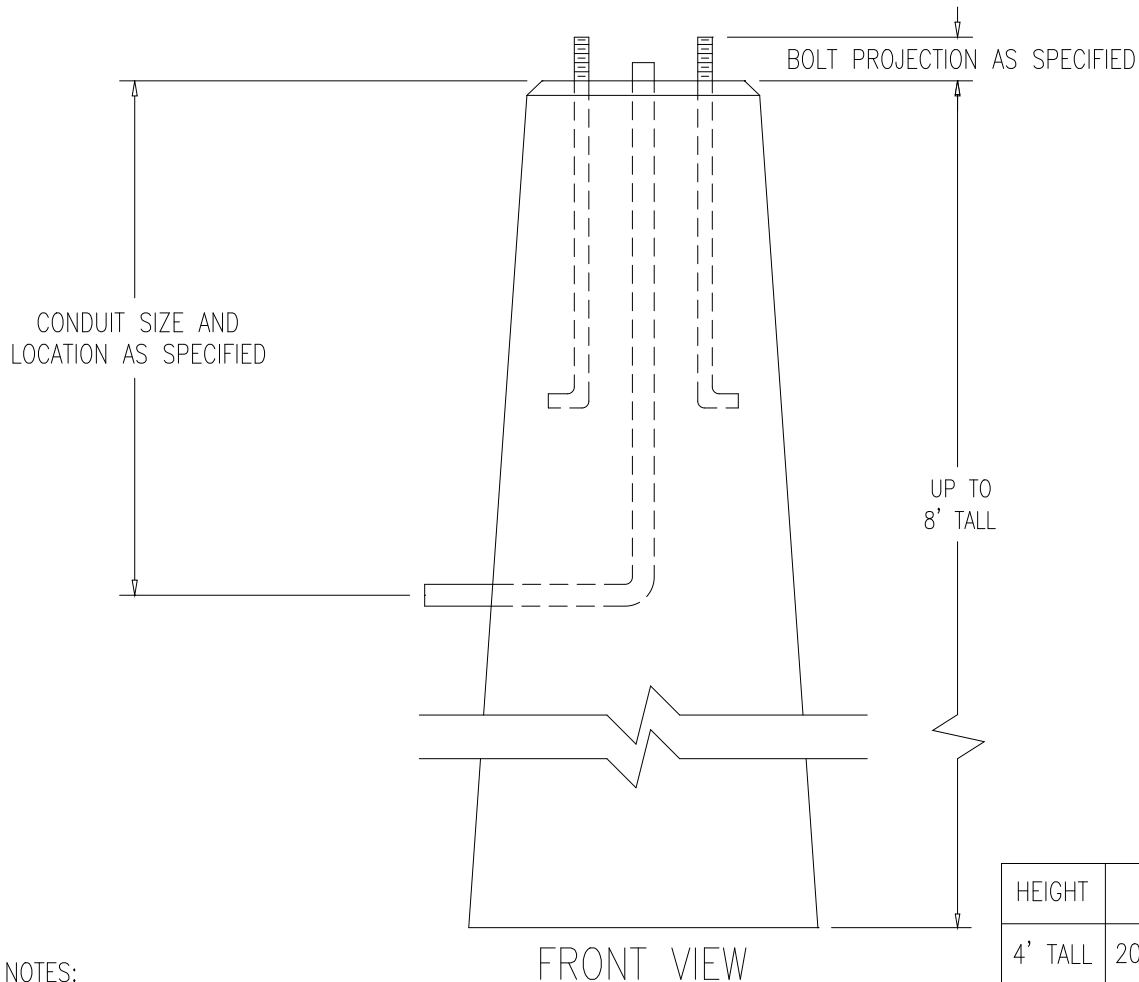
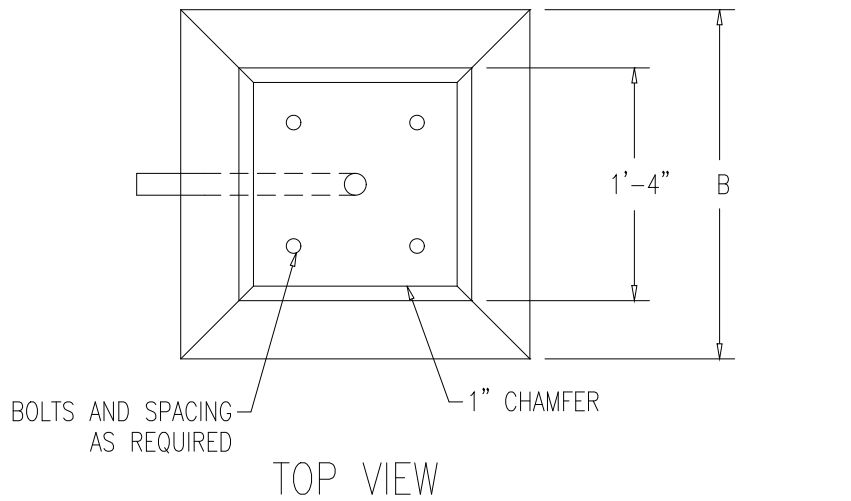


16" SQUARE/TAPERED LIGHT POLE BASE

ITEM #B-7

WEIGHT - SEE CHART BELOW



DESIGN NOTES:

- 1 - CONCRETE 4000 PSI AT 28 DAYS.
- 2 - REINFORCING IS AS SPECIFIED. (TYP. 4 - #4 VERTICALLY AND #3 STIRRUPS 12" O.C. HORIZONTALLY)
- 3 - ANCHOR BOLTS AND GROUNDING AS SPECIFIED.
- 4 - BALLAST POURED AROUND BASE IF REQUIRED.
- 5 - BASE HEIGHTS ARE ADJUSTED FROM BOTTOM UP. (SEE CHART)

HEIGHT	B	WEIGHT	ITEM #
4' TALL	20" SQ.	1,368 LBS	B-74
5' TALL	21" SQ.	1,816 LBS	B-75
6' TALL	22" SQ.	2,312 LBS	B-76
7' TALL	23" SQ.	2,860 LBS	B-77
8' TALL	24" SQ.	3,468 LBS	B-78