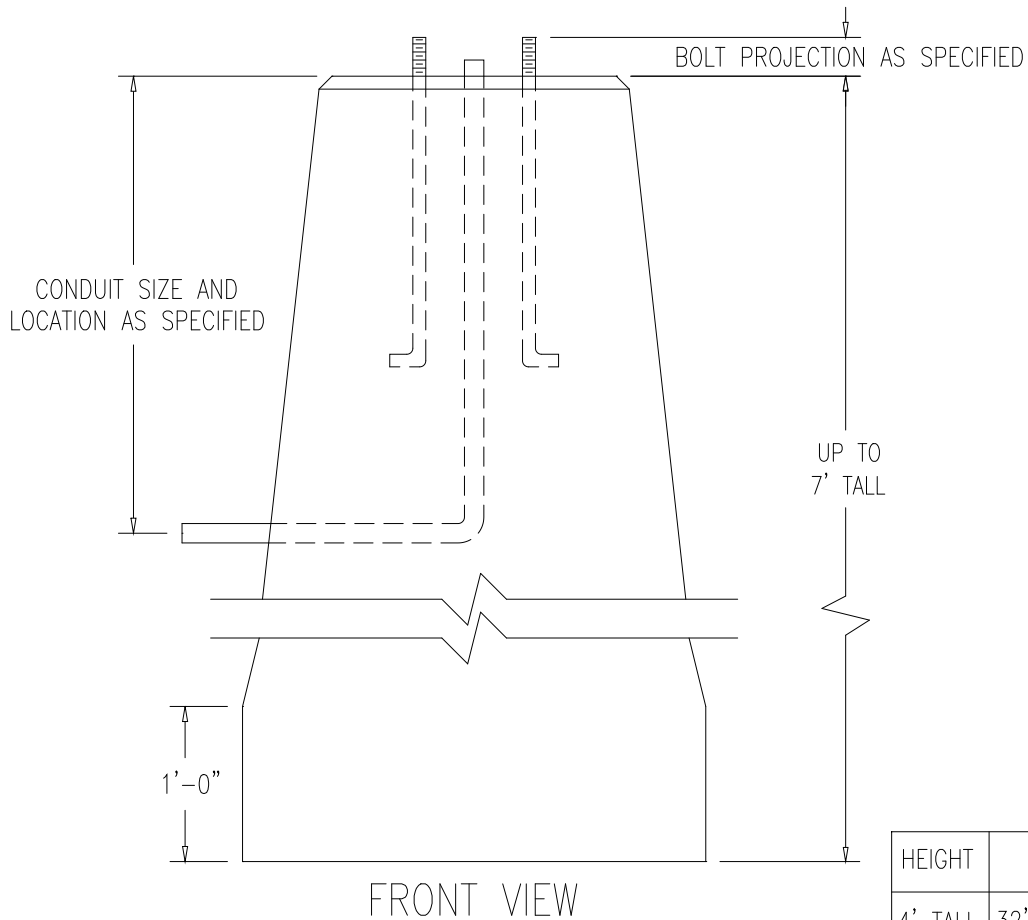
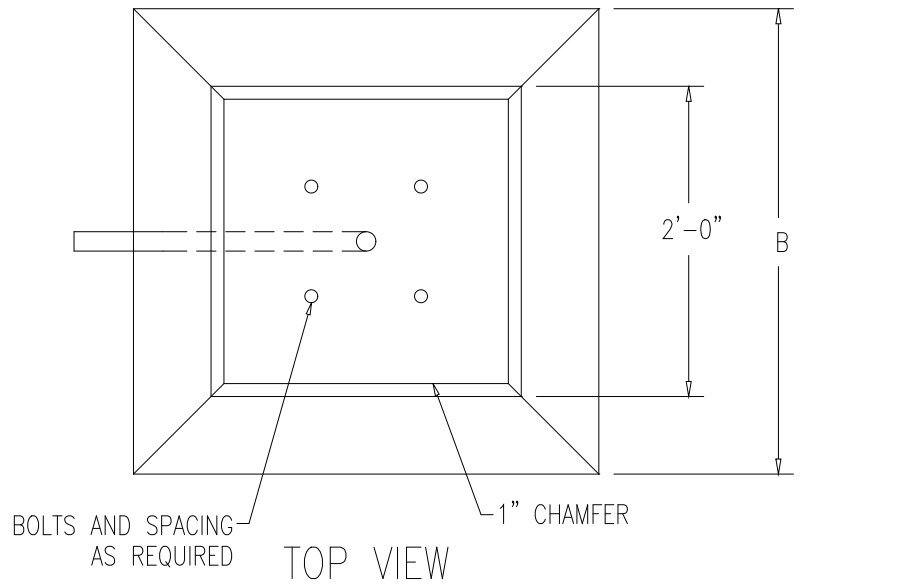


24" SQUARE/TAPERED LIGHT POLE BASE

ITEM #B-8

WEIGHT - SEE CHART BELOW



DESIGN NOTES:

- 1 - CONCRETE 4000 PSI AT 28 DAYS.
- 2 - REINFORCING IS AS SPECIFIED. (TYP. 4 - #5 VERTICALLY AND #3 STIRRUPS 12" O.C. HORIZONTALLY)
- 3 - ANCHOR BOLTS AND GROUNDING AS SPECIFIED.
- 4 - BALLAST POURED AROUND BASE IF REQUIRED.
- 5 - BASE HEIGHTS ARE ADJUSTED FROM BOTTOM UP. (SEE CHART)

HEIGHT	B	WEIGHT	ITEM #
4' TALL	32" SQ.	3,567 LBS	B-84
5' TALL	34" SQ.	4,813 LBS	B-85
6' TALL	36" SQ.	6,225 LBS	B-86
7' TALL	36" SQ.	7,200 LBS	B-87