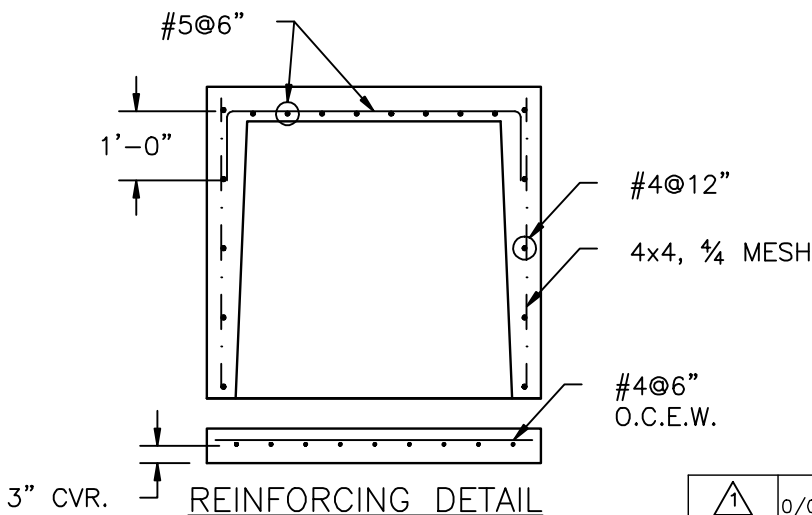
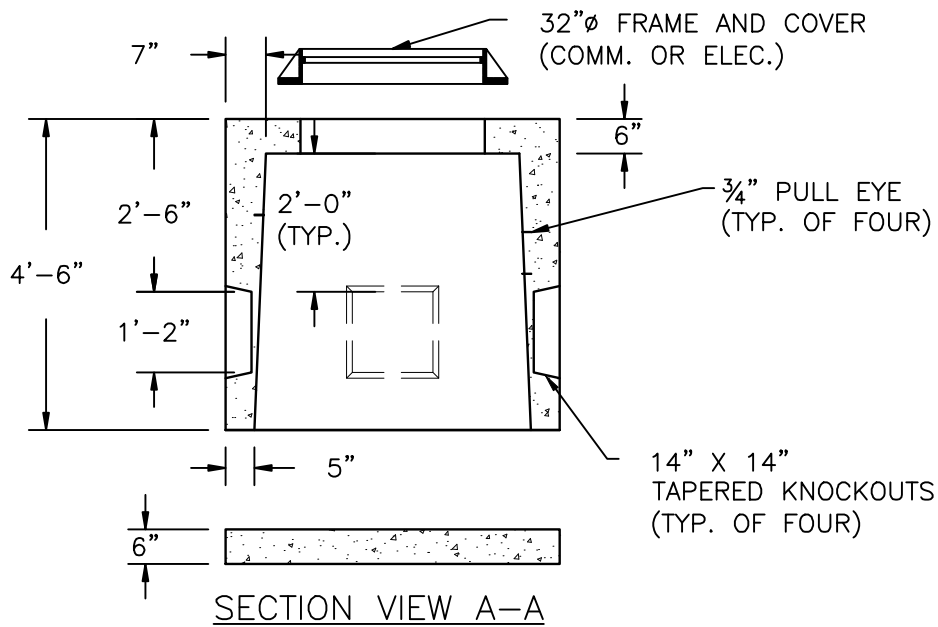
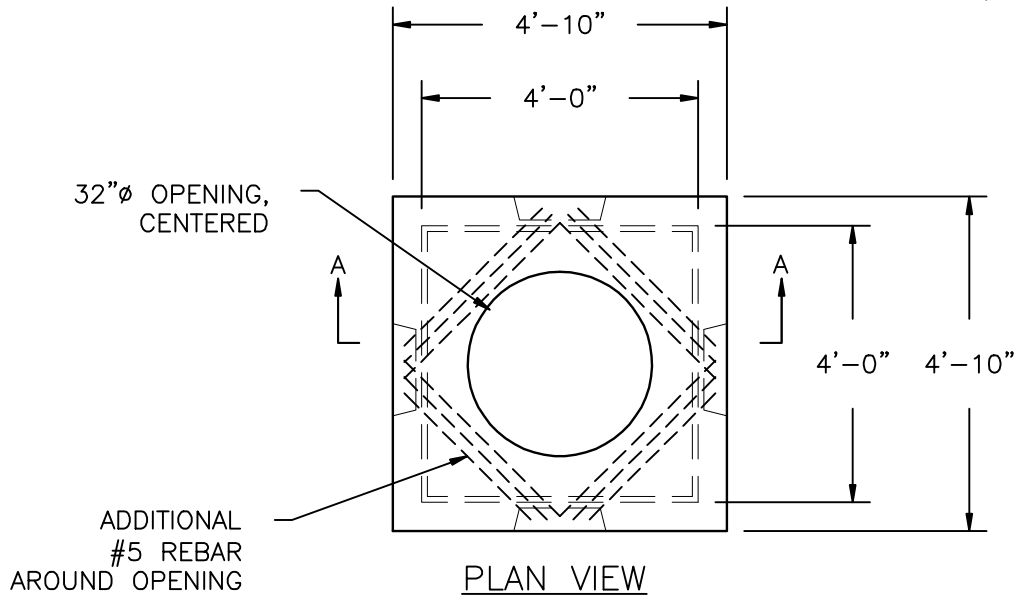


APPROX. WEIGHTS:
 SPLICE BOX: 5,760LBS (1.44CY)
 SLAB: 1,720LBS (.43CY)



NOTES:

1. CONCRETE TO BE 5,000 PSI AT 28 DAYS.
2. VAULT TO BE RATED FOR H-20 LOADING.
3. REINFORCING TO BE GRADE 60, BLACK.
4. BASE SLAB OPTIONAL.

PRECAST OF MAINE

139 MAIN STREET, P.O. BOX 307
 TOPSHAM, ME 04086
 207-729-1628, FAX: 207-729-8710

PROJECT: 4' X 4' SPLICE BOX
 STOCK

CUSTOMER:

ENGINEER:

N/A

DATE: 3/15/13

DRAWN BY:

DRAWING NUMBER:

SCALE: NTS

MJB

001

| | |
|--------|---------|
| 1 | 0/00/00 |
| REV. # | DATE |