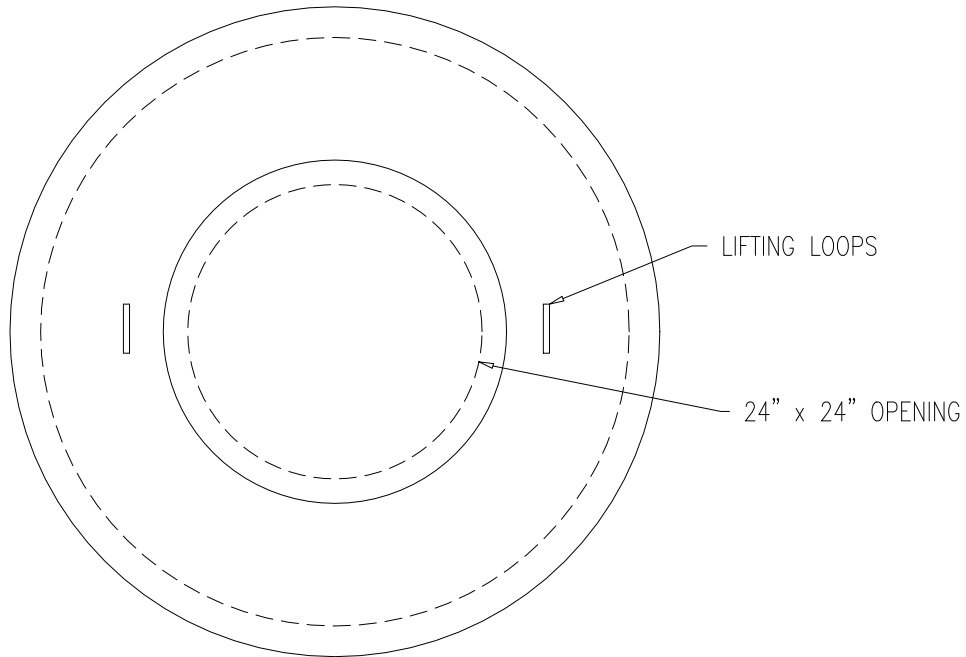
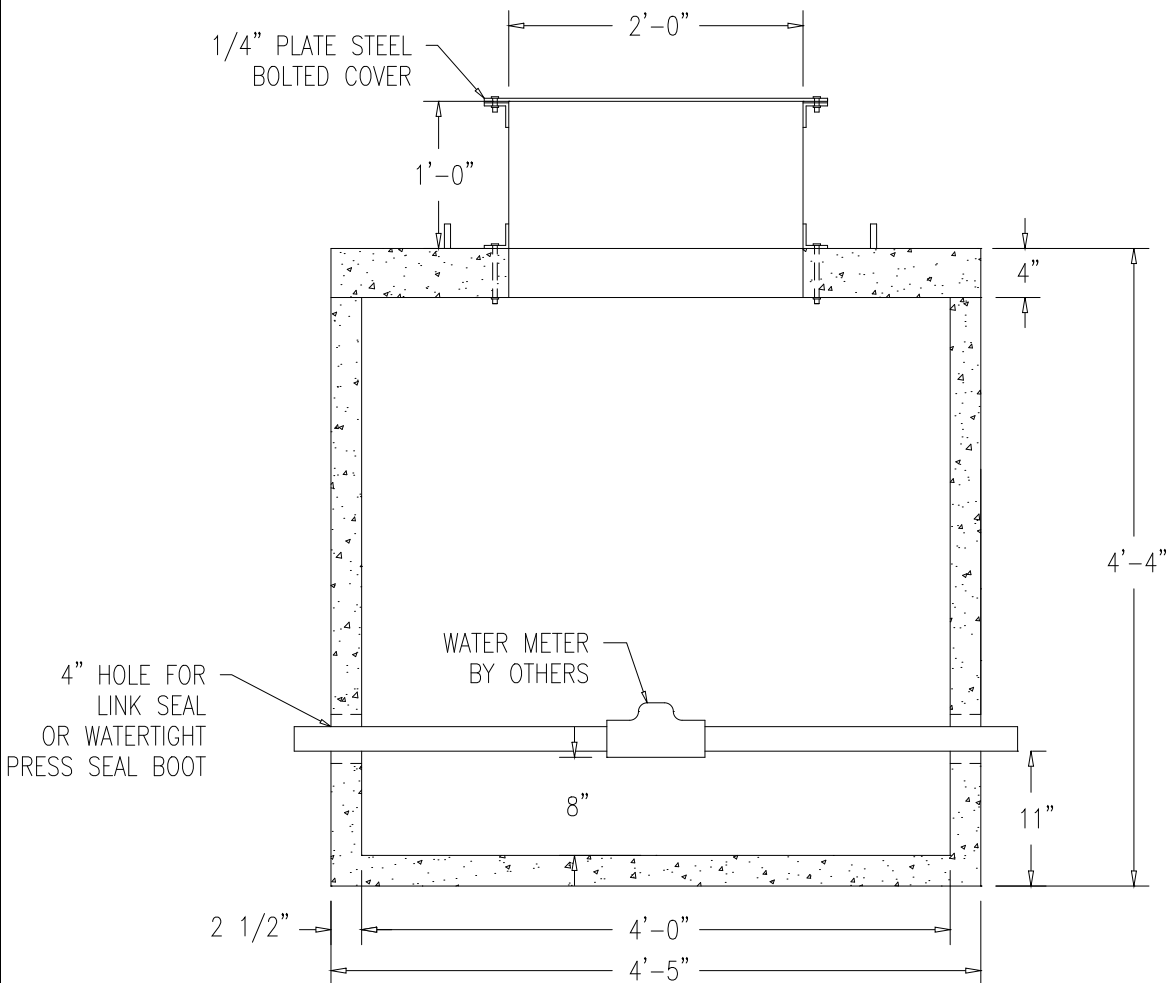


WATER METER PIT

ITEM #B-11
WEIGHT - 2120 LBS



TOP VIEW



SECTION VIEW

DESIGN NOTES:

- 1 - THIS PIT IS TO BE PLACED ON PRIVATE PROPERTY NEAR THE STREET LINE.
- 2 - THIS TYPICAL PIT IS NOT DESIGNED FOR TRAFFIC LOAD. (TRAFFIC LOAD DESIGN AVAILABLE)
- 3 - THIS PIT WILL HOUSE UP TO 2 3/4" METERS.
- 4 - METAL RISER IS PRIMED.