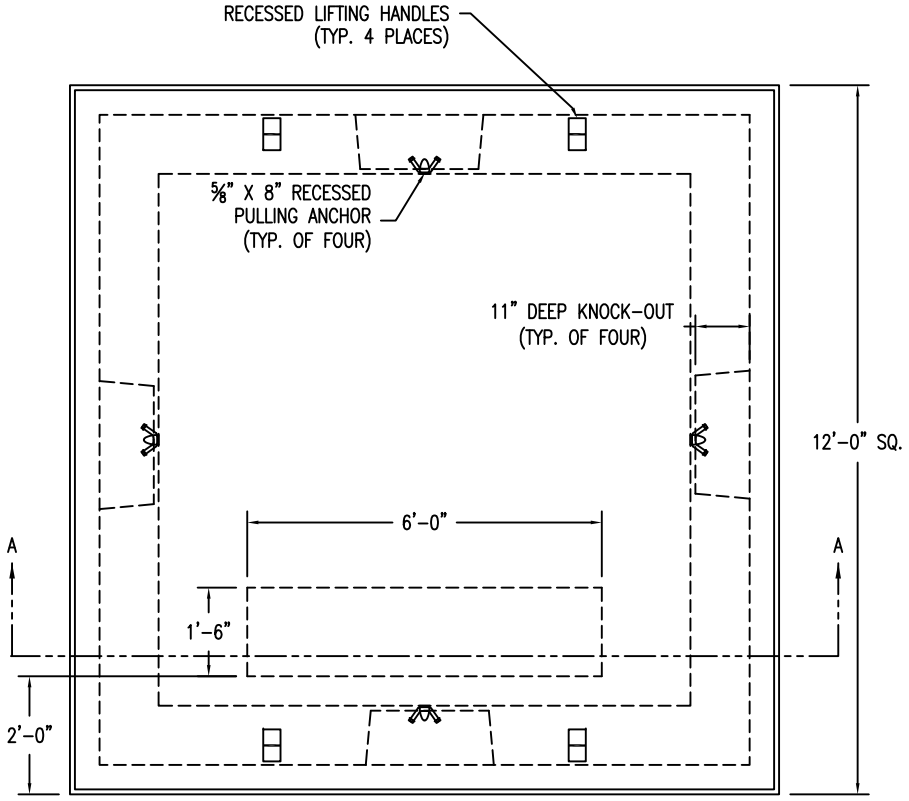


12' X 12' TRANSFORMER PAD

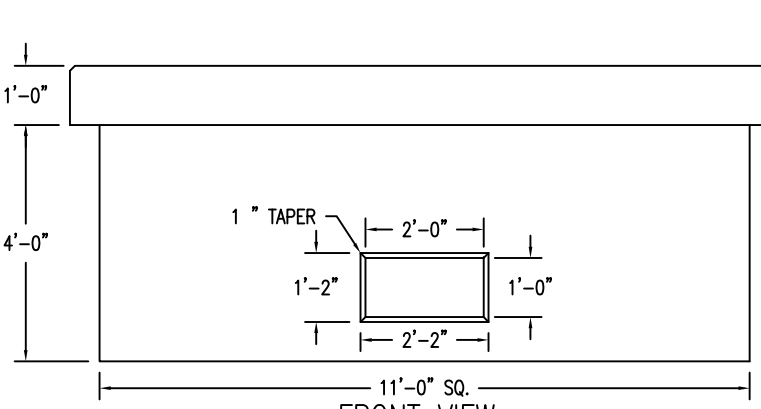
WEIGHT - TOP: 19,750 LBS BASE: 24,000 LBS

DESIGN NOTES:

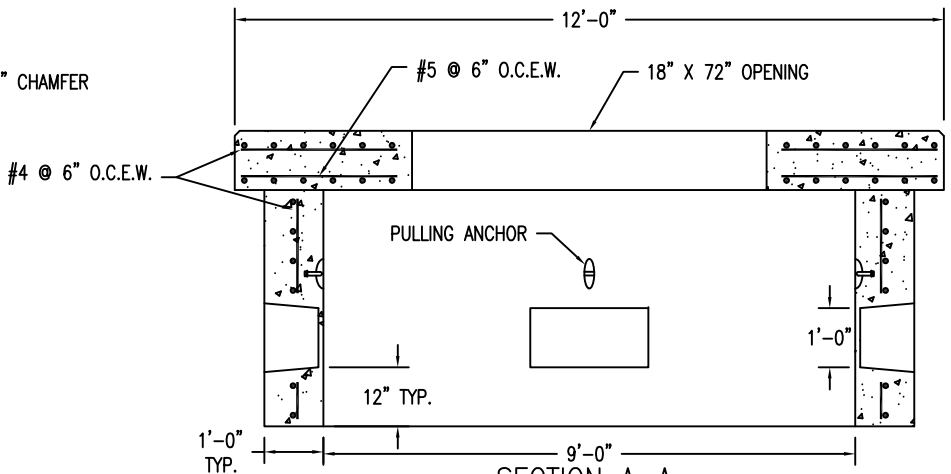
- 1 - CONCRETE 5,000 PSI AT 28 DAYS
- 2 - REINFORCING TO BE GRADE 60.
- 3 - DUCT OPENINGS SHOWN ARE TYPICAL AND CAN BE MODIFIED PER REQUEST.
- 4 - CENTRAL MAINE POWER COMPANY SPECIFICATION.



TOP VIEW



FRONT VIEW



SECTION A-A