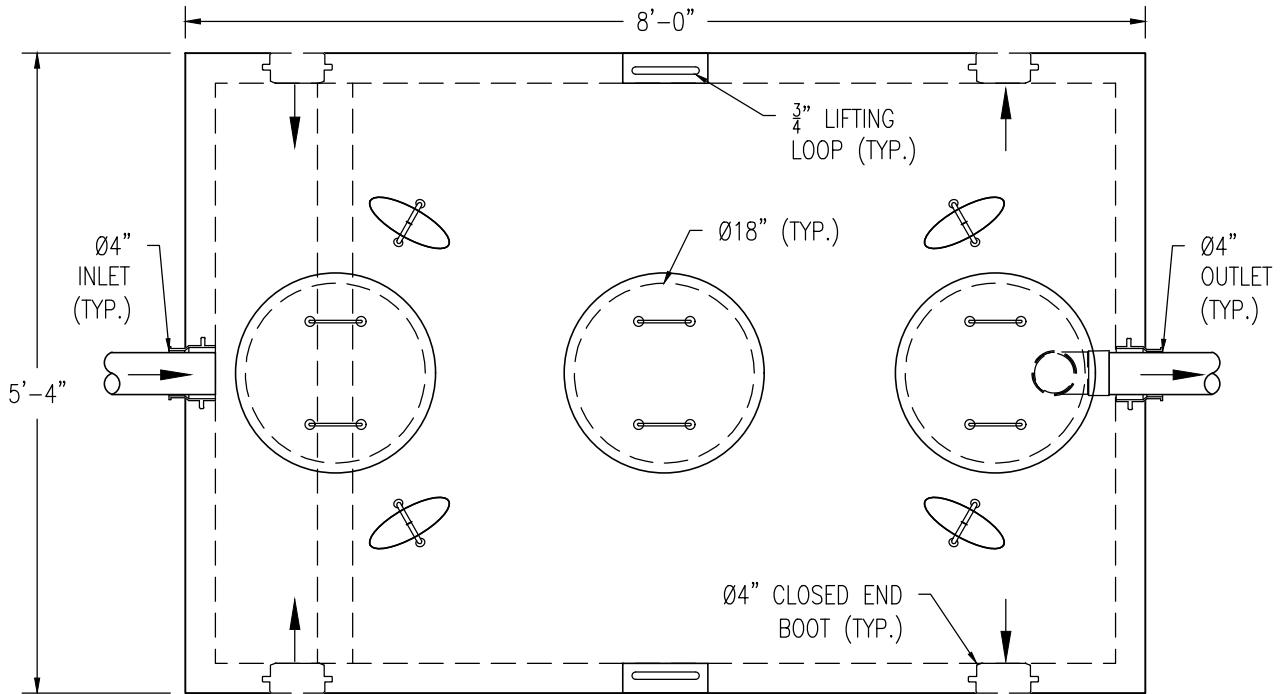


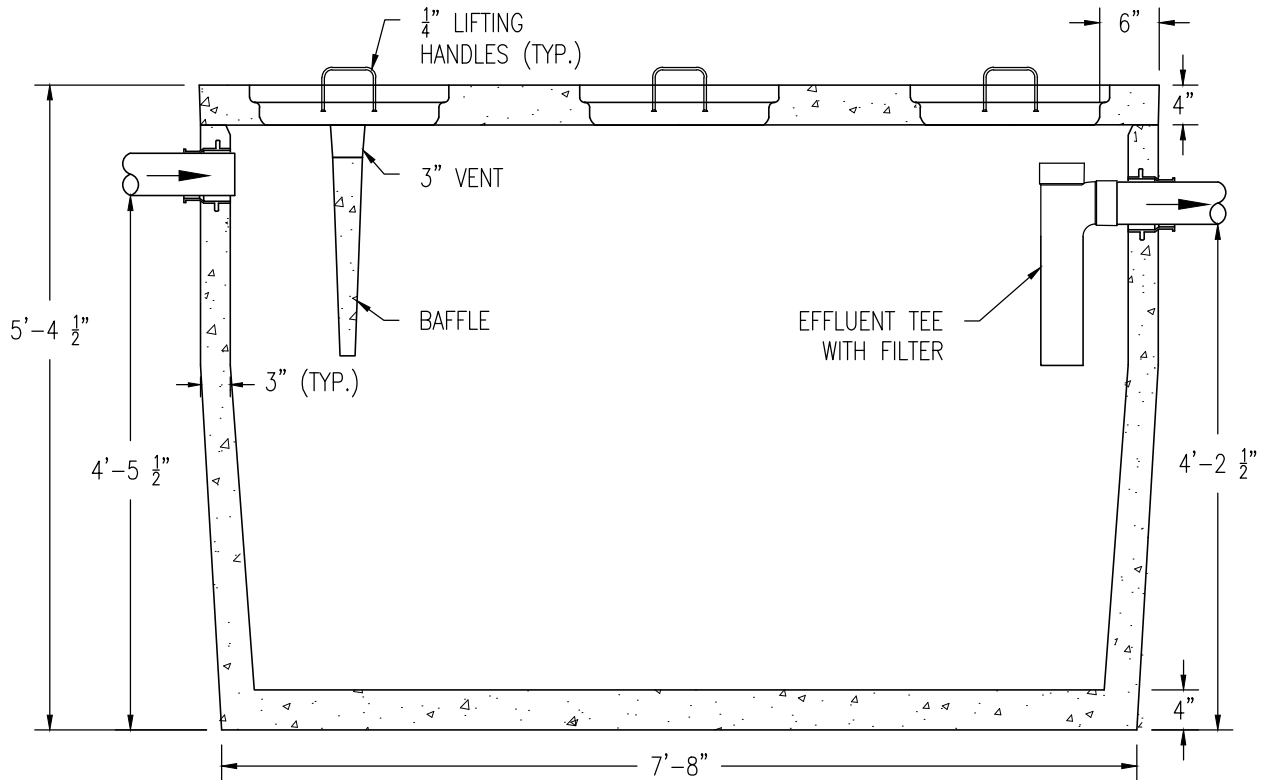
APPROXIMATE WEIGHT:  
9,000 LBS (2.25 CY)

DESIGN NOTES:

1. CONCRETE REINFORCED WITH STRUCTURAL FIBERS, 5,000 PSI @ 28 DAYS
2. REINFORCING TO BE GRADE 60, BLACK
3. JOINT TO BE SEALED WITH SINGLE ROLL  $\frac{3}{4}$ " BUTYL RUBBER SEALANT



TOP VIEW



SECTION VIEW

PRODUCT: 1,000 GALLON ONE PIECE SEPTIC TANK

ITEM NUMBER: T10000

SCALE: 5/8" = 1'-0"

DRAWN BY: KJN

DATE: 6/17/24



PRECAST  
OF MAINE

139 MAIN STREET, PO BOX 307

TOPSHAM, ME 04086

(207) 729-1628

WWW.PRECASTOFMAINE.COM