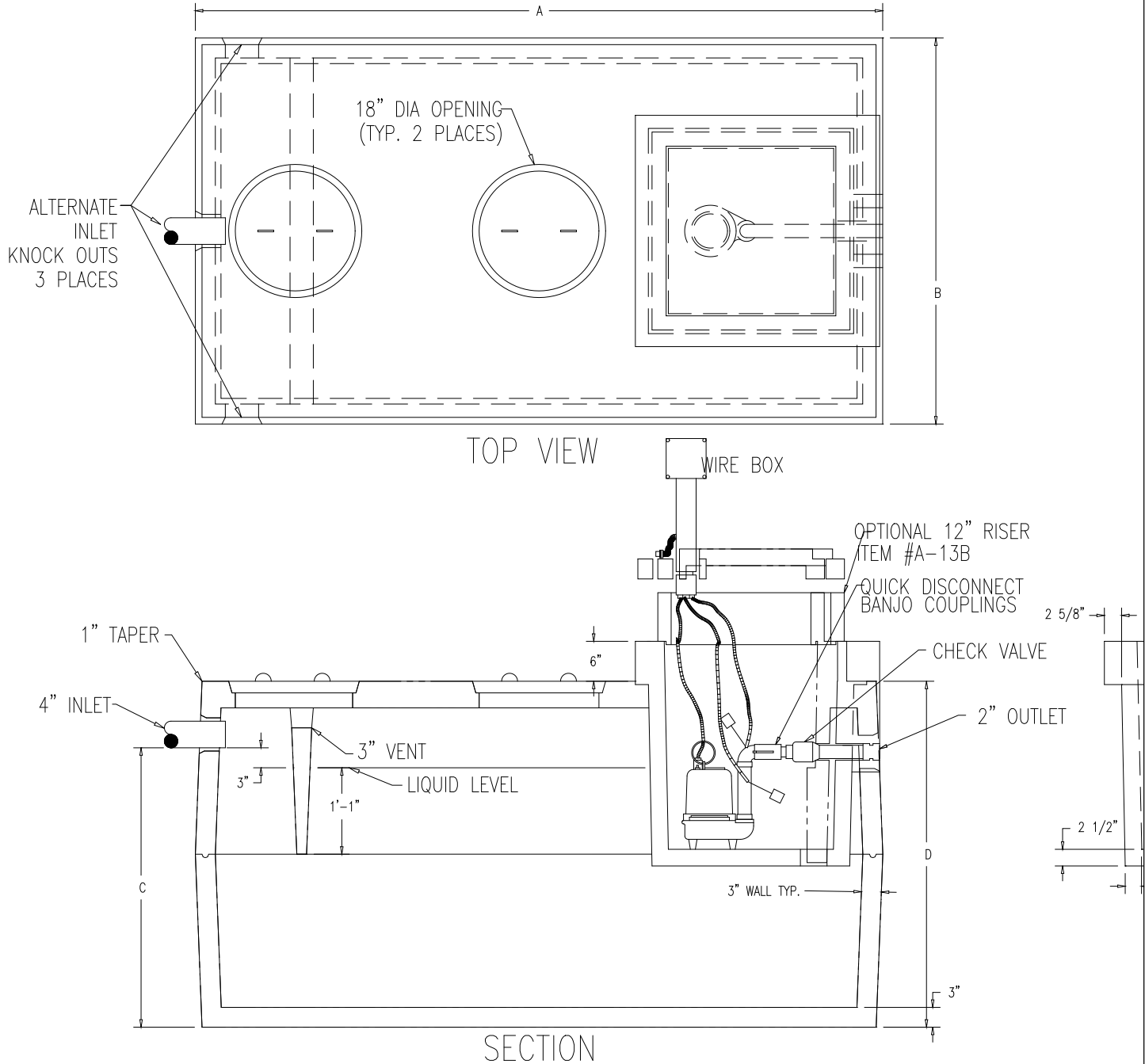


# RESIDENTIAL COMBO TANKS

ITEM #A-12

WEIGHT - SEE CHART BELOW



LIQUID CAPACITY (GALLONS)	A	B	C	D	WEIGHT (LBS)	ITEM #
750	8'-6"	4'-10"	42"	52"	8,400	A-1201
1000 REG	8'-6"	4'-10"	55 1/2"	64"	9,100	A-1202
1000 LB	10'-6"	6'-4"	37 1/2"	48"	11,500	A-1203
1500	10'-6"	6'-4"	55 1/2"	64"	12,220	A-1204
2000	10'-6"	6'-4"	65"	74"	13,250	A-1205

**DESIGN NOTES:**

- 1 - CONCRETE 4000 PSI AT 28 DAYS.
- 2 - INLET Baffle IS PRECAST AS ONE UNIT WITH THE TOP SECTION OF THE SEPTIC TANK.
- 3 - TANKS REINFORCED WITH 6X6X10 G.A. WIRE.
- 4 - KEYED JOINTS SEALED WITH ASPHALT SEALANT.
- 5 - OUTLET FILTER AVAILABLE.