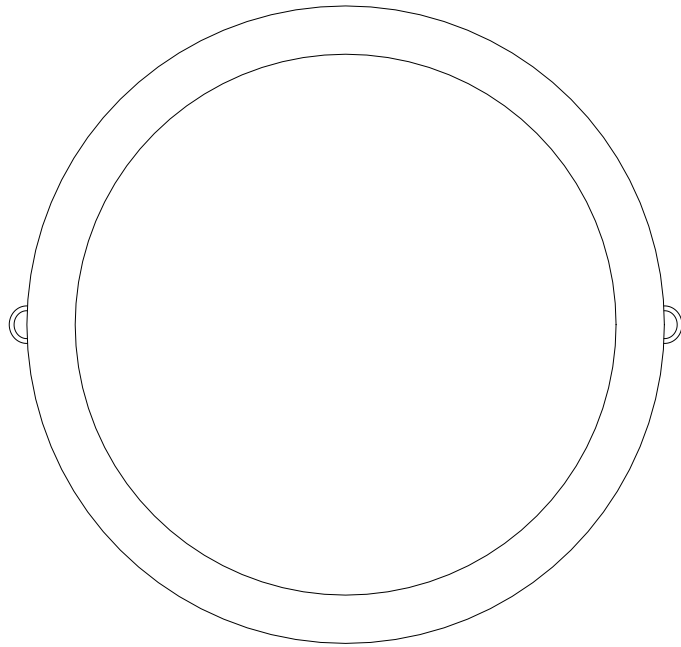
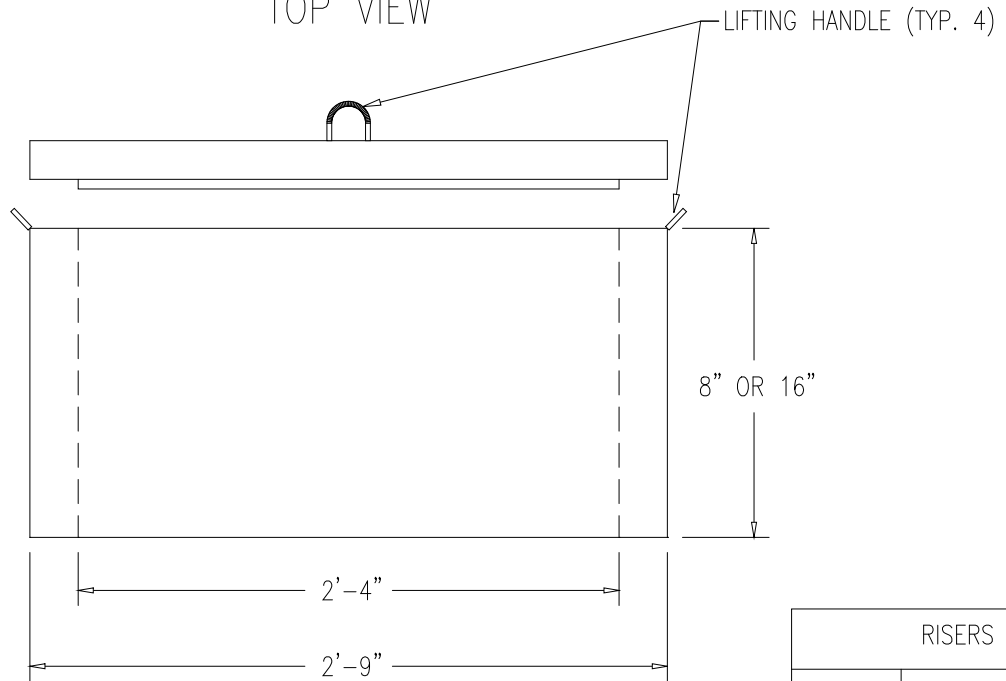


ROUND RISER BLOCKS

ITEM #A-16
WEIGHT - SEE CHART BELOW



TOP VIEW



FRONT VIEW

DESIGN NOTES:

- 1 - CONCRETE 4000 PSI AT 28 DAYS.
- 2 - THIS ITEM IS A STANDARD RISER FOR PUMP TANKS, LEACHING CHAMBERS, CHLORINE CONTACT CHAMBERS, AND WELL TILE COVERS.

RISERS		
HEIGHT	WEIGHT	ITEM #
8"	212 LBS	A-1601
16"	425 LBS	A-1602
COVER		
HEIGHT	WEIGHT	ITEM #
2"	150 LBS	A-16C