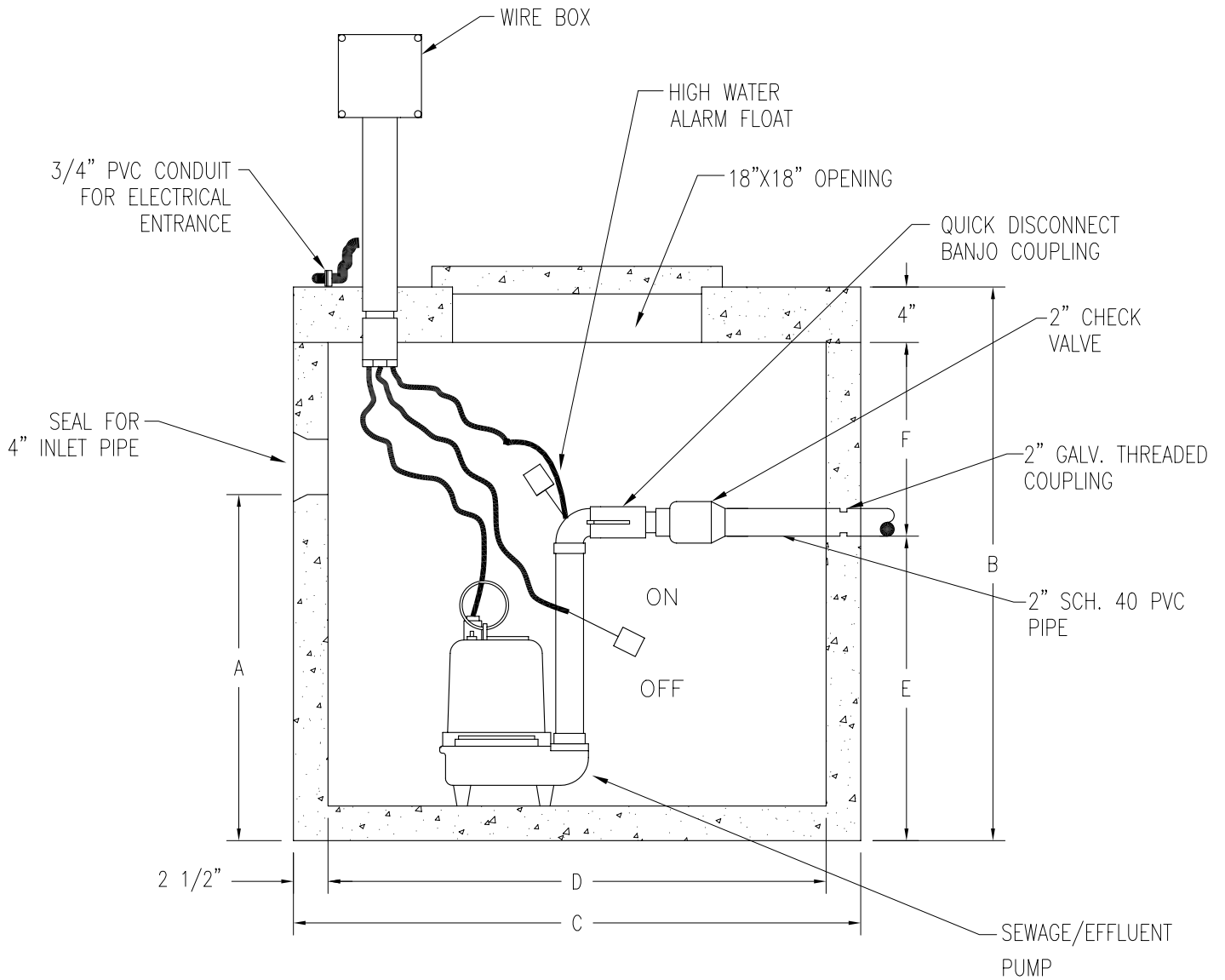


LIFT STATION

ITEM #A-7

WEIGHT - SEE CHART BELOW



DESIGN NOTES:

- 1 - CONCRETE 4000 PSI AT 28 DAYS.
- 2 - SEWAGE/EFFLUENT PUMPS AVAILABLE TO MEET A WIDE RANGE OF SPECIFIED REQUIREMENTS FOR HEAD, DOSE, AND SOLIDS HANDLING.
- 3 - WIRE BOX PROVIDES A CONVENIENT WATERTIGHT SEAL FOR ELECTRICAL CONNECTIONS.

DESCRIPTION	CAPACITY	A	B	C	D	E	F	ITEM #	WITH OUT WIRE BOX	WEIGHT
3 x 3 LIFT STATION	100 GAL	2'-2"	3'-4"	3'-5"	3'-0"	1'-10"	1'-2"	A-701WB	A-701	1600 LBS
4 x 4 LIFT STATION	300 GAL	3'-2"	4'-4"	4'-5"	4'-0"	2'-10"	1'-2"	A-702WB	A-702	2575 LBS