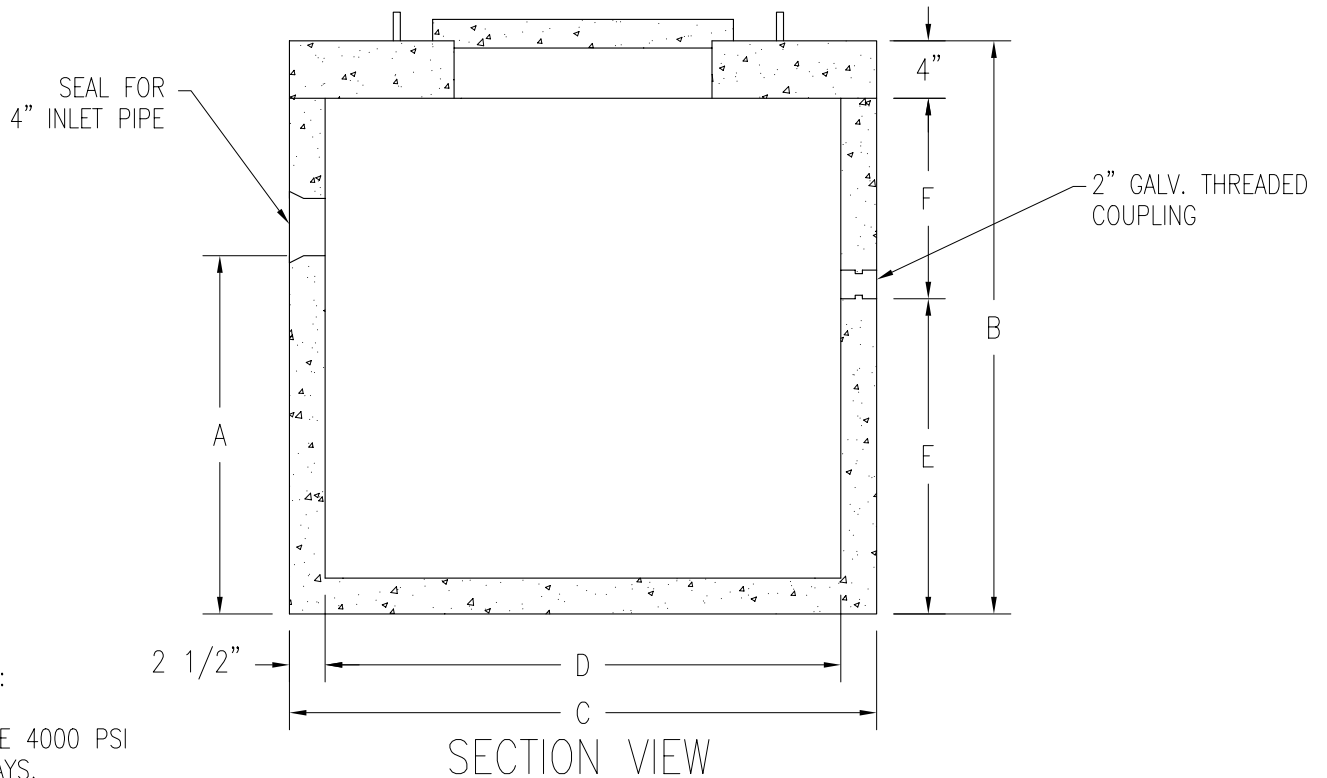
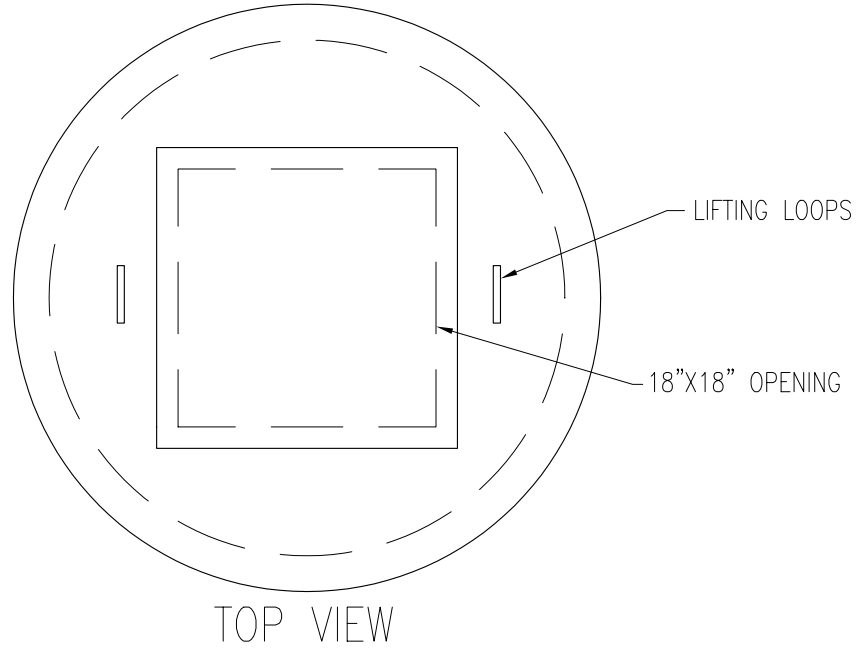


# PUMP TANKS

ITEM #A-8  
WEIGHT - SEE CHART BELOW



**DESIGN NOTES:**

1 - CONCRETE 4000 PSI  
AT 28 DAYS.

DESCRIPTION	CAPACITY	A	B	C	D	E	F	ITEM #	WITH ELECTRICAL	WEIGHT
3 x 3 PUMP TANK	100 GAL	2'-2"	3'-4"	3'-5"	3'-0"	1'-10"	1'-2"	A-801	A-801E	1600 LBS
4 x 4 PUMP TANK	300 GAL	3'-2"	4'-4"	4'-5"	4'-0"	2'-10"	1'-2"	A-802	A-802E	2575 LBS