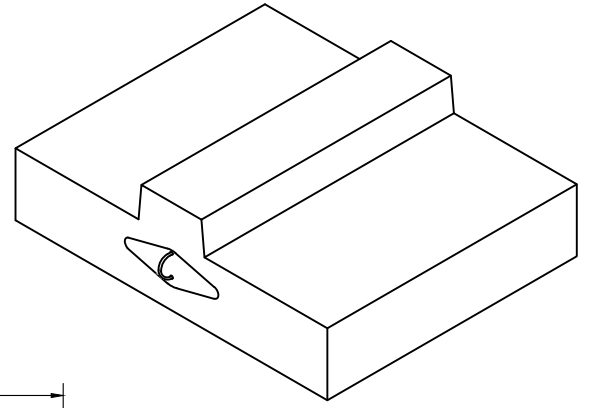


APPROXIMATE WEIGHTS

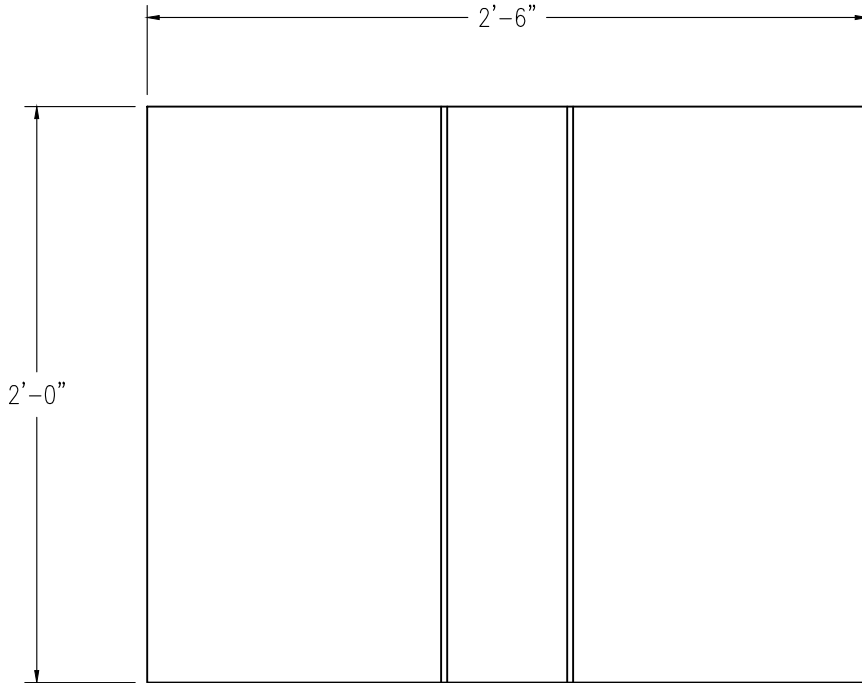
400 LBS (0.10 CY)

DESIGN NOTES

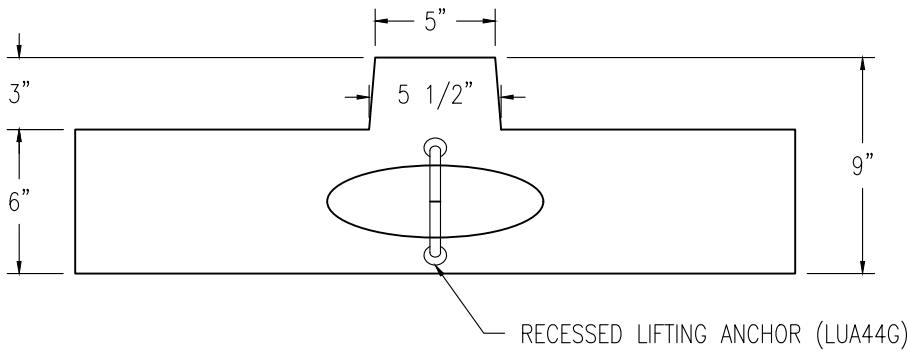
1. CONCRETE TO BE 5,000 PSI @ 28 DAYS.



ISO VIEW
SCALE: 1/2"=1'-0"



TOP VIEW



FRONT VIEW

PRODUCT: AUGUSTA THRUST BLOCK

ITEM NUMBER: THRBLK-AUG

SCALE: 1 1/2"=1'-0"

DRAWN BY: DTM

DATE: 9/27/22



**PRECAST
OF MAINE**

139 MAIN STREET, P.O. BOX 307

TOPSHAM, ME 04086

(207) 729-1628

WWW.PRECASTOFMAINE.COM