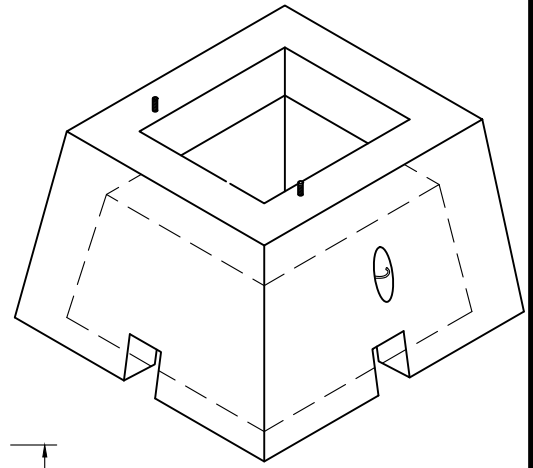


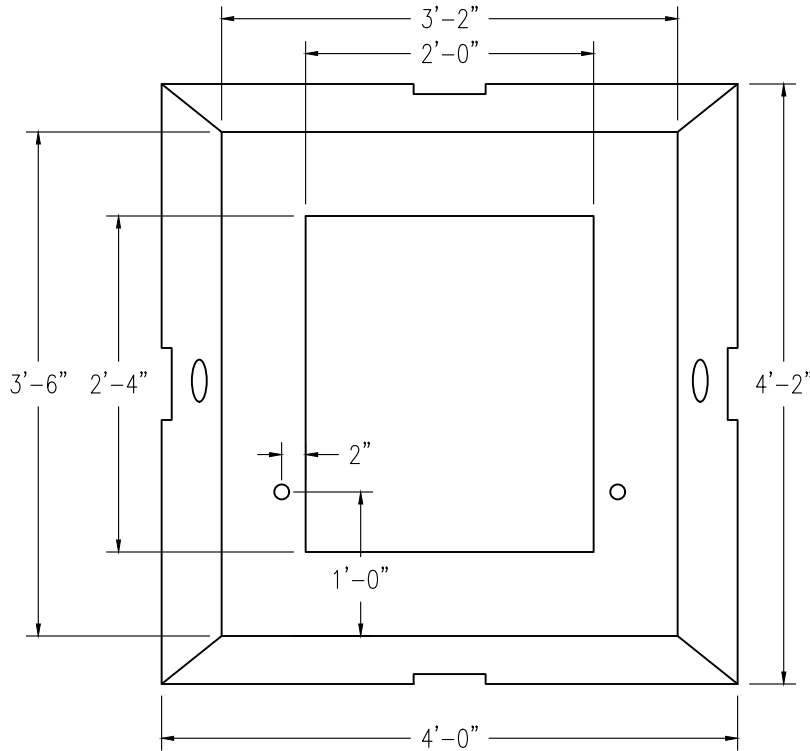
APPROXIMATE WEIGHT:
3,160 LBS (0.79 CY)

DESIGN NOTES

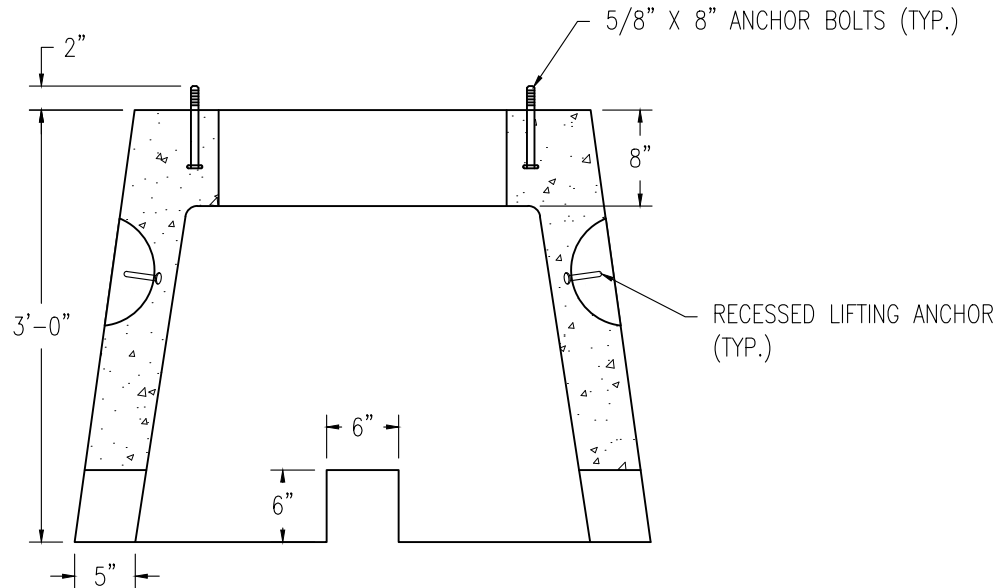
1. FIBER REINFORCED CONCRETE TO BE 5,000 PSI @ 28 DAYS.
2. COVER AVAILABLE UPON REQUEST: ITEM# TPADRESC.
3. MANUFACTURED PER CMP SPECIFICATIONS.
4. 25-167 KVA.



ISO VIEW



PLAN VIEW



SECTION VIEW

PRODUCT: RESIDENTIAL TRANSFORMER PAD

ITEM NUMBER: TPADRES

SCALE: 3/4" = 1'-0"

DRAWN BY: DTM

DATE: 3/16/22



PRECAST
OF MAINE

139 MAIN STREET, P.O. BOX 307

TOPSHAM, ME 04086

(207) 729-1628

WWW.PRECASTOFMAINE.COM