

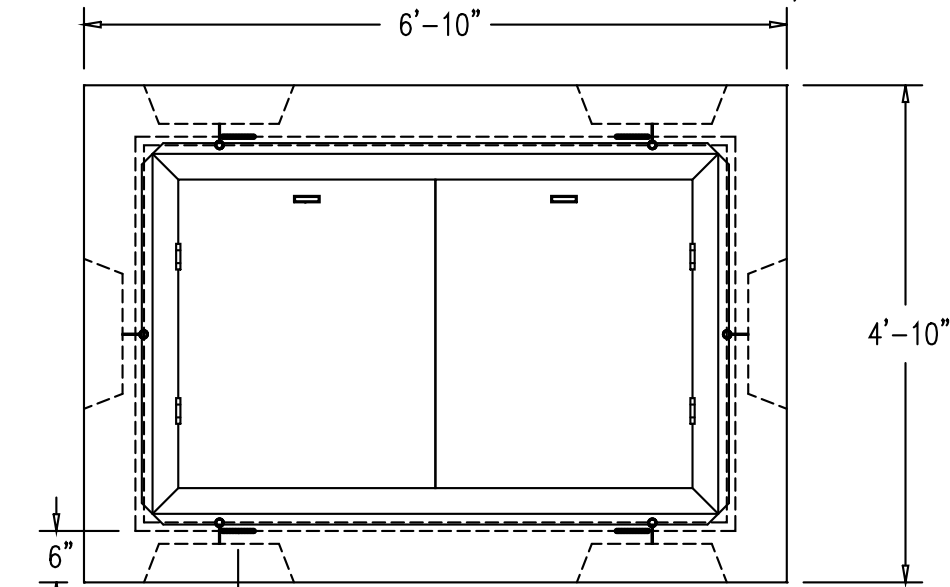
# HEAVY DUTY 4' x 6' SPLICE BOX

ITEM #B-13

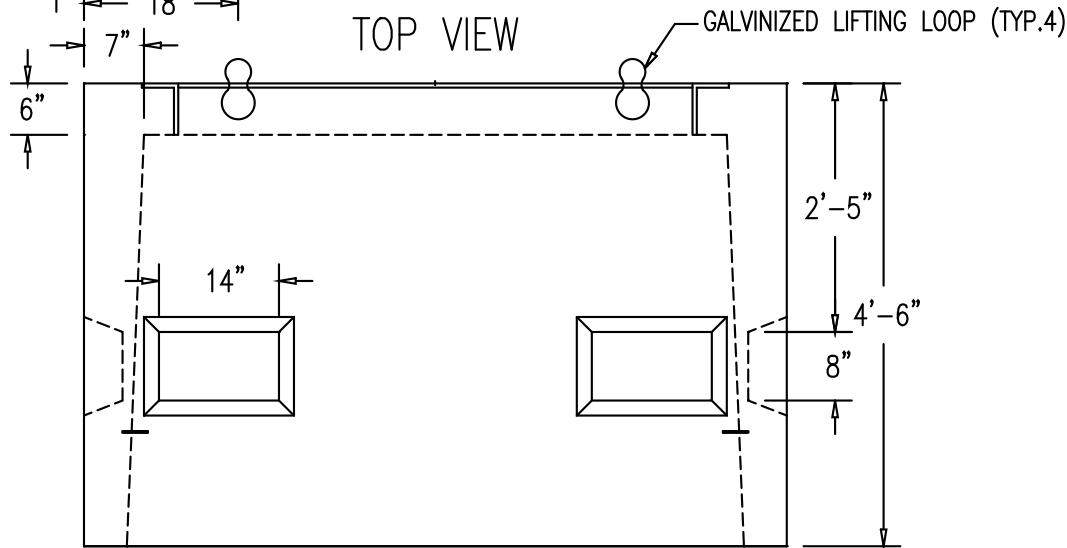
WEIGHT - 8,500 LBS      BASE SLAB 2,700 LBS

## DESIGN NOTES:

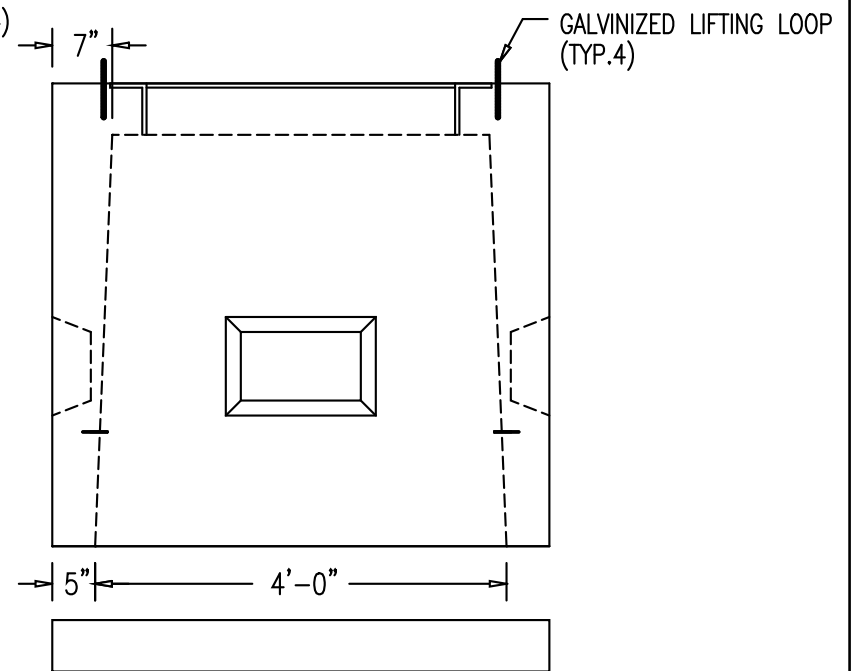
- 1 - CONCRETE 4000 PSI AT 28 DAYS.
- 2 - REINFORCED WITH GRADE 40 REBAR:
  - 4X4 W4/W4 WWF MESH IN WALLS
  - #4 @ 12" O.C. HORIZONTALLY IN WALLS.
  - #6 @ 6" O.C. EACH WAY IN TOP.
  - 12 PIECES OF #5 SURROUNDING OPENING DIAGONALLY.
- 3 - OPENINGS SIZED FOR 4" & 6" CONDUIT.
- 4 - MEETS ALL CMP SPECIFICATIONS.
- 5 - SUITABLE FOR PRIMARY CABLE INSTALLATIONS.
- 6 - SYRACUSE CASTINGS DTD-13 (36" X 60") ALUMINUM HATCH
- 7 - 3/4" ID PULL-EYE BELOW EACH KNOCKOUT.



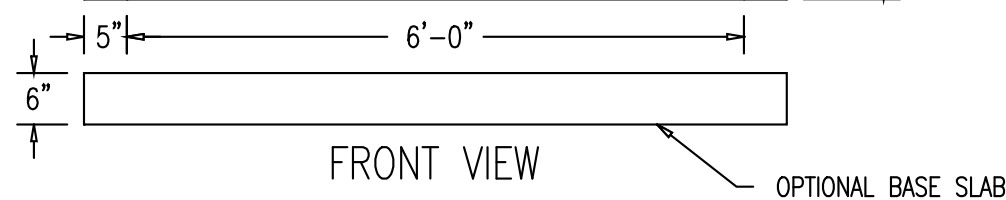
TOP VIEW



FRONT VIEW



SIDE VIEW



OPTIONAL BASE SLAB