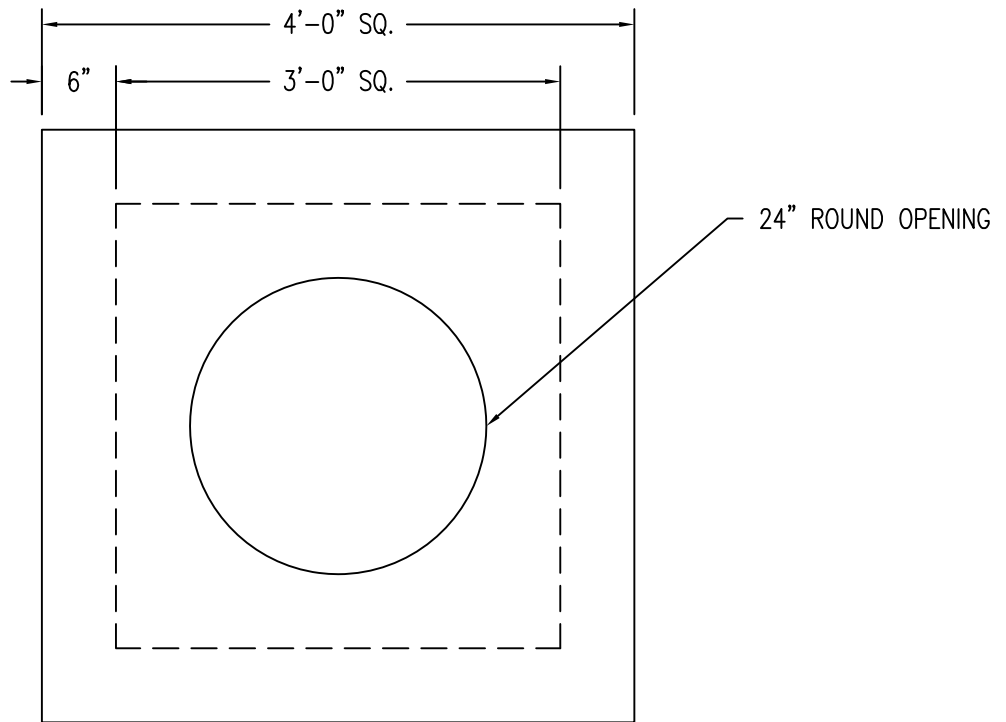
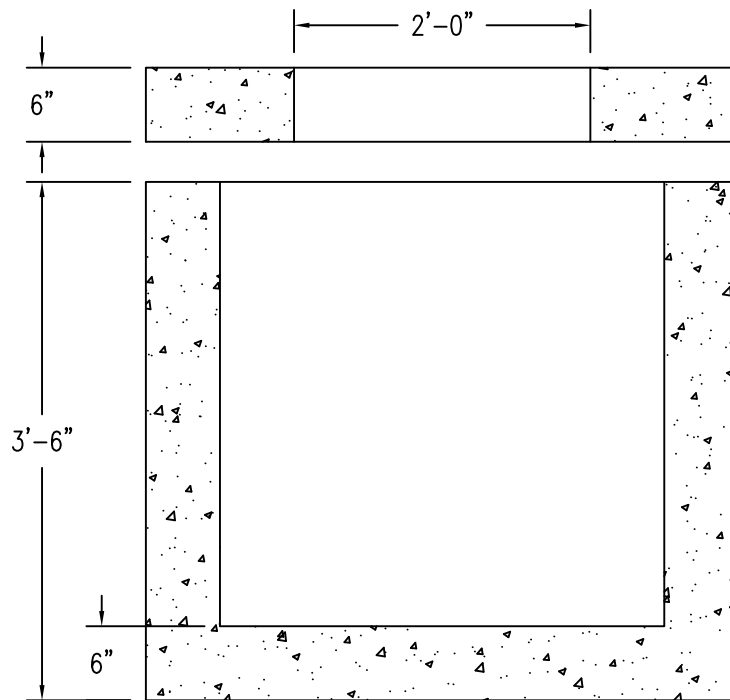


3' SQ. UTILITY BOX WITH 6" WALLS

ITEM #B-14
WEIGHT - VARIES SEE CHART BELOW



TOP VIEW



FRONT SECTION

DESIGN NOTES:

- 1 - CONCRETE 4000 PSI AT 28 DAYS.
- 2 - H-20 LOADING AVAILABLE.
- 3 - OPENINGS AS NEEDED.

BASE HEIGHT	WEIGHT (LBS)	RISER HEIGHT	WEIGHT (LBS)
2'	2,775	1'	1,050
2'-6"	3,300	2'	2,100
3'	3,825	3'	3,150
3'-6"	4,350	COVER WEIGHT	
		970 LBS	