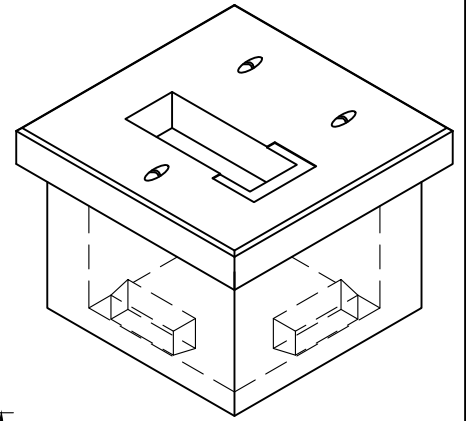


APPROXIMATE WEIGHTS

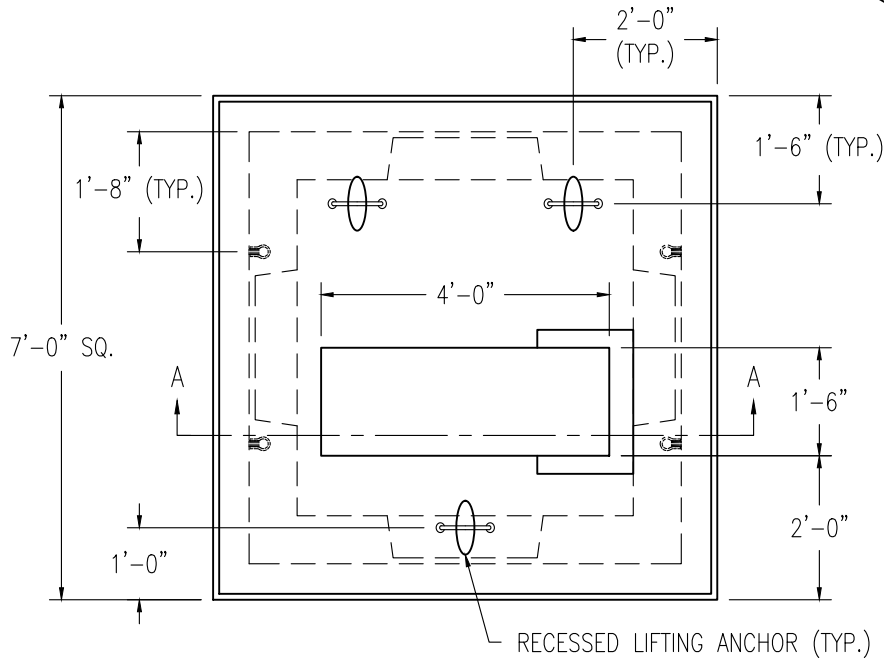
8,550 LBS (2.13 CY) BASE
 5,900 LBS (1.46 CY) TOP
 14,450 LBS (3.59 CY) TOTAL

DESIGN NOTES

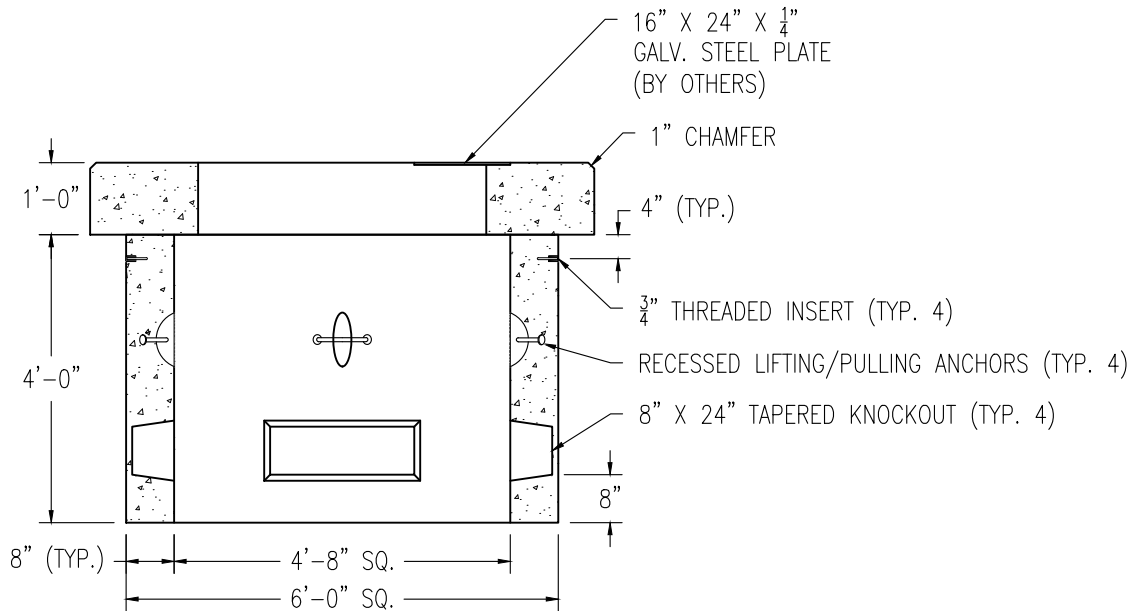
1. CONCRETE TO BE 5,000 PSI @ 28 DAYS.
2. REINFORCING TO BE GRADE 60, BLACK.
3. MANUFACTURED PER CMP SPECIFICATIONS.
4. 75-500 KVA.



ISO VIEW



PLAN VIEW



SECTION A-A

PRODUCT: 7' SQUARE 3 PHASE TRANSFORMER PAD

ITEM NUMBER: TPAD7SQ

SCALE: 3/8" = 1'-0"

DRAWN BY:DTM

DATE:3/15/22



**PRECAST
 OF MAINE**

139 MAIN STREET, P.O. BOX 307

TOPSHAM, ME 04086

(207) 729-1628

WWW.PRECASTOFMAINE.COM