

APPROXIMATE WEIGHT:

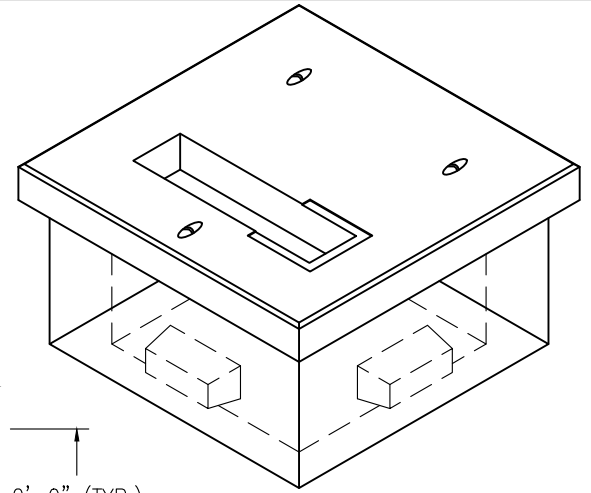
15,718 LBS (3.93 CY) BASE

10,730 LBS (2.68 CY) TOP

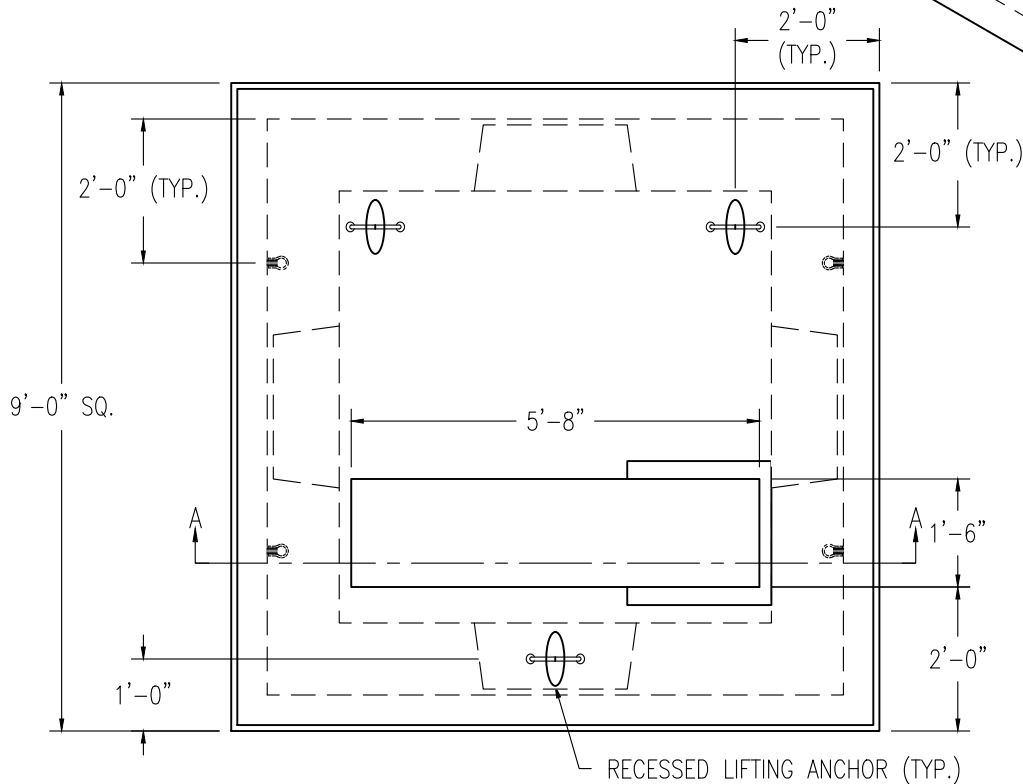
26,448 LBS (6.61 CY) TOTAL

DESIGN NOTES:

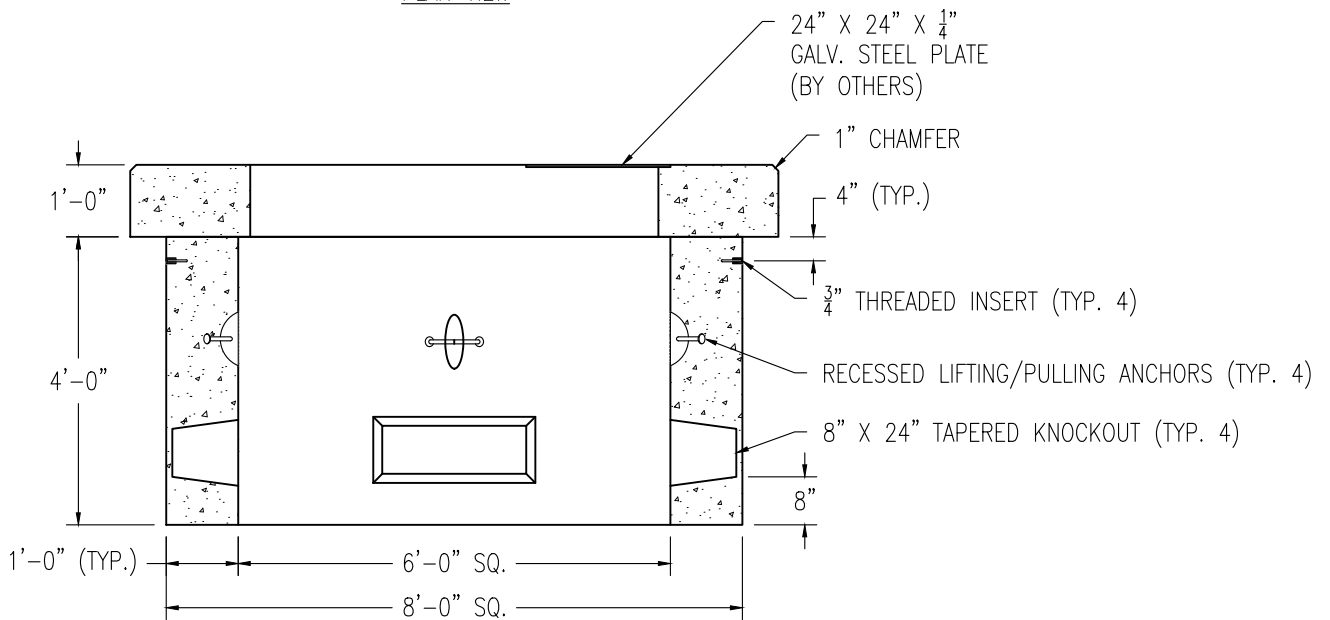
1. CONCRETE TO BE 5,000 PSI @ 28 DAYS.
2. REINFORCING TO BE GRADE 60, BLACK.
3. MANUFACTURED PER CMP SPECIFICATIONS.
4. 750-2000 KVA.



ISO VIEW



PLAN VIEW



SECTION A-A

PRODUCT: 9' SQUARE 3 PHASE TRANSFORMER PAD

ITEM NUMBER: TPAD9SQ

SCALE: 3/8" = 1'-0"

DRAWN BY: DTM

DATE: 3/7/22



**PRECAST  
OF MAINE**

139 MAIN STREET, P.O. BOX 307

TOPSHAM, ME 04086

(207) 729-1628

WWW.PRECASTOFMAINE.COM