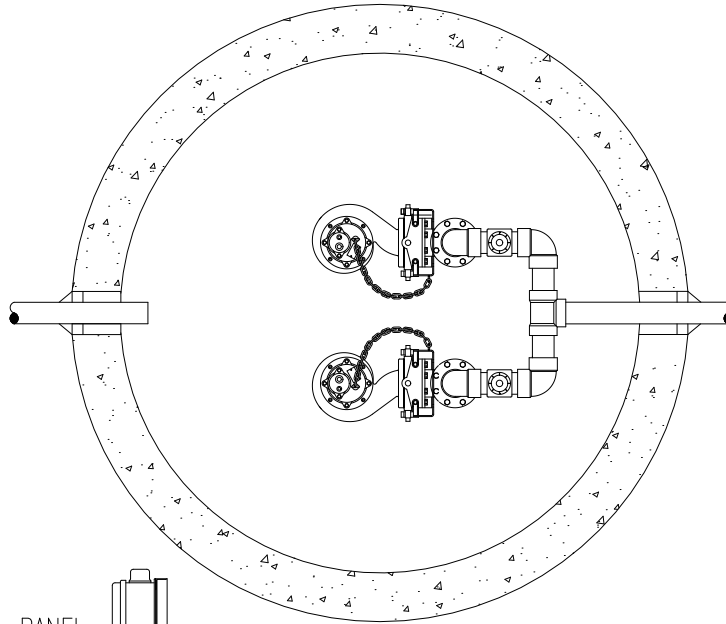


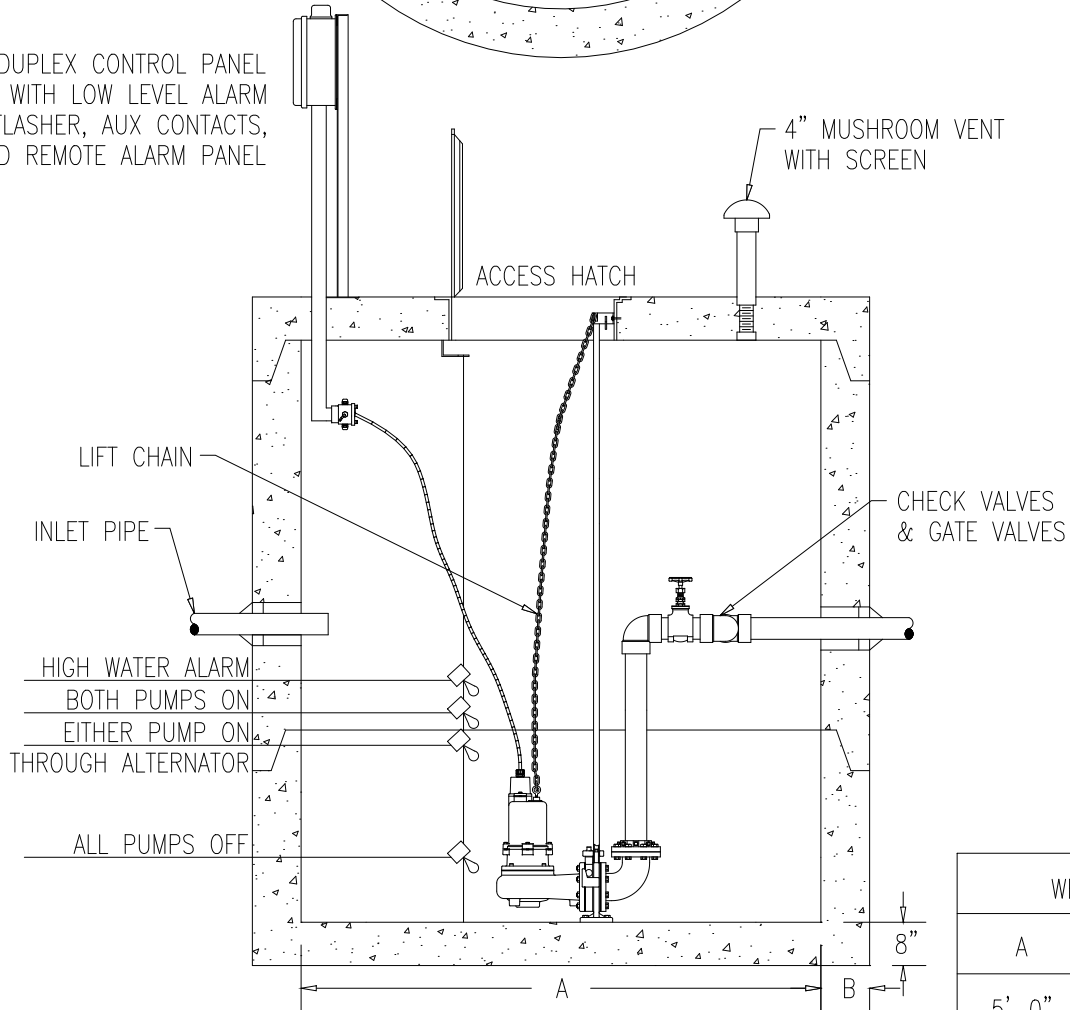
DUPLEX PUMP STATION

ITEM #D-2

WEIGHT - VARIES BECAUSE OF SIZE AND HEIGHT



DUPLEX CONTROL PANEL
WITH LOW LEVEL ALARM
FLASHER, AUX CONTACTS,
AND REMOTE ALARM PANEL



DESIGN NOTES:

- 1 - FILLETS AND BALLAST CAN BE ADDED AS SPECIFIED.
- 2 - STEPS CAN BE ADDED FOR EASY ACCESS.
- 3 - ALL PUMP TANK AND VALVE PIT EQUIPMENT CAN BE PROVIDED AS SPECIFIED.
- 4 - FLOAT HEIGHT VARIES.

WELL DIMENSIONS		
A	B	ITEM #
5'-0"	6"	D-101
6'-0"	7"	D-102
8'-0"	9"	D-103