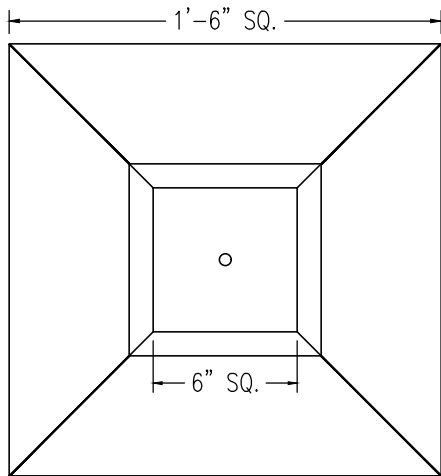


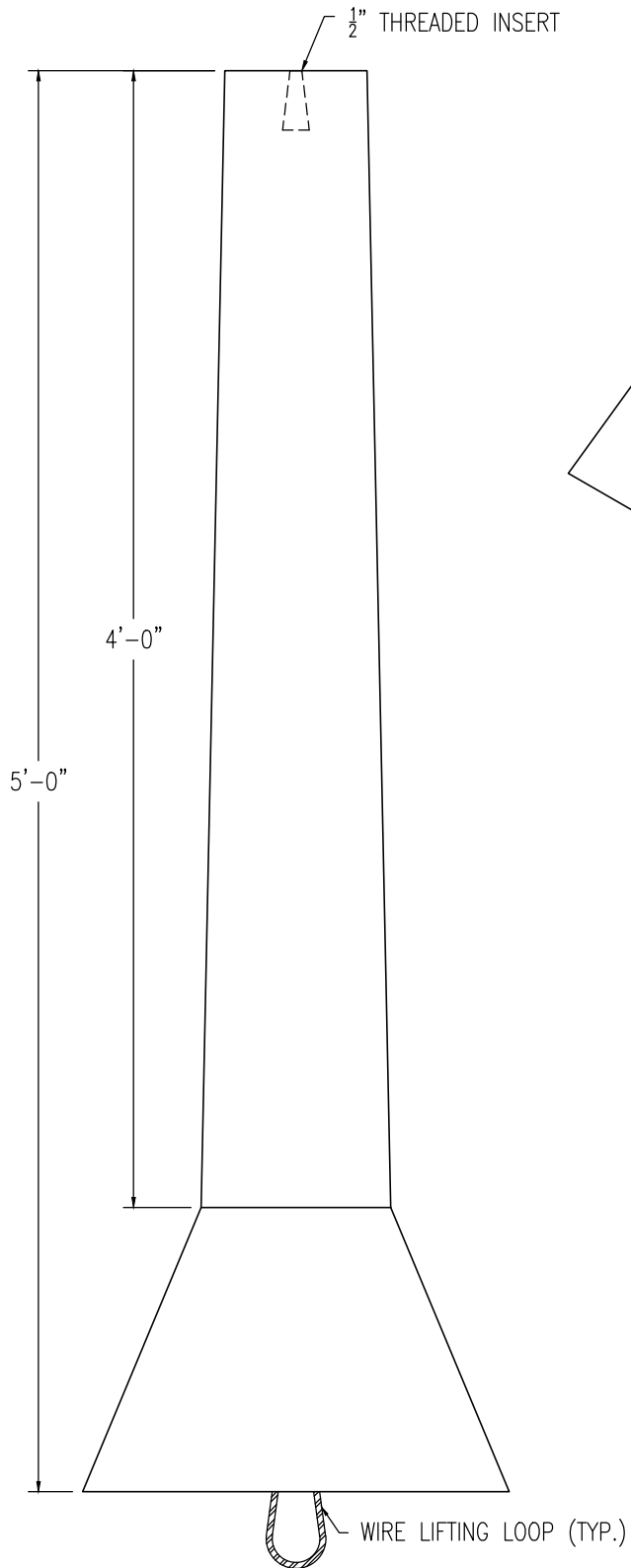
APPROXIMATE WEIGHT:  
390 LBS (0.10 CY)

DESIGN NOTES:

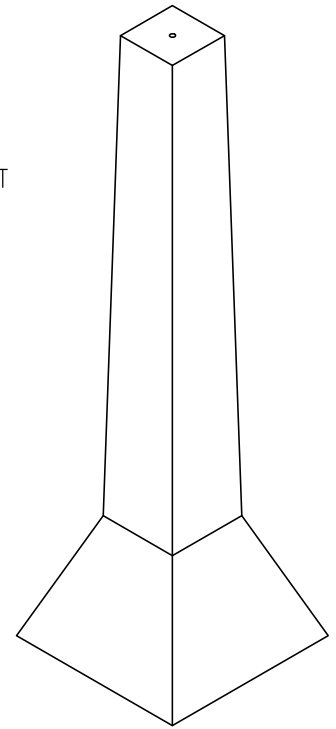
1. CONCRETE TO BE 5,000 PSI @ 28 DAYS
2. REINFORCING TO BE GRADE 60, BLACK



TOP VIEW



FRONT VIEW



ISO VIEW

PRODUCT: 5' FROST POST

ITEM NUMBER: FP5

SCALE: 1-1/2" = 1'-0"

DRAWN BY: KJN

DATE: 7/02/24



**PRECAST  
OF MAINE**

139 MAIN STREET, PO BOX 307

TOPSHAM, ME 04086

(207) 729-1628

WWW.PRECASTOFMAINE.COM