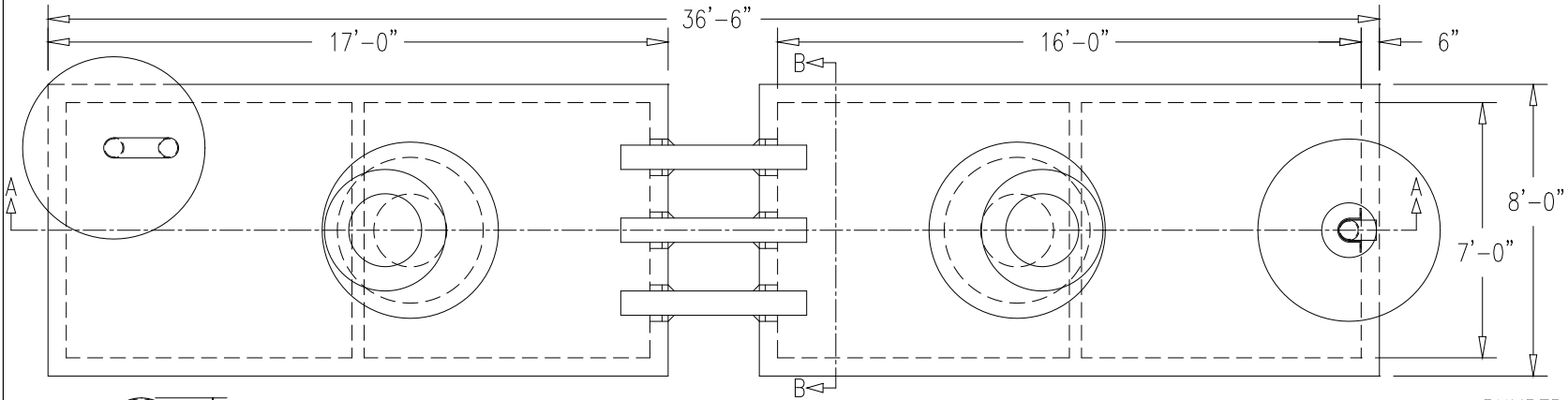
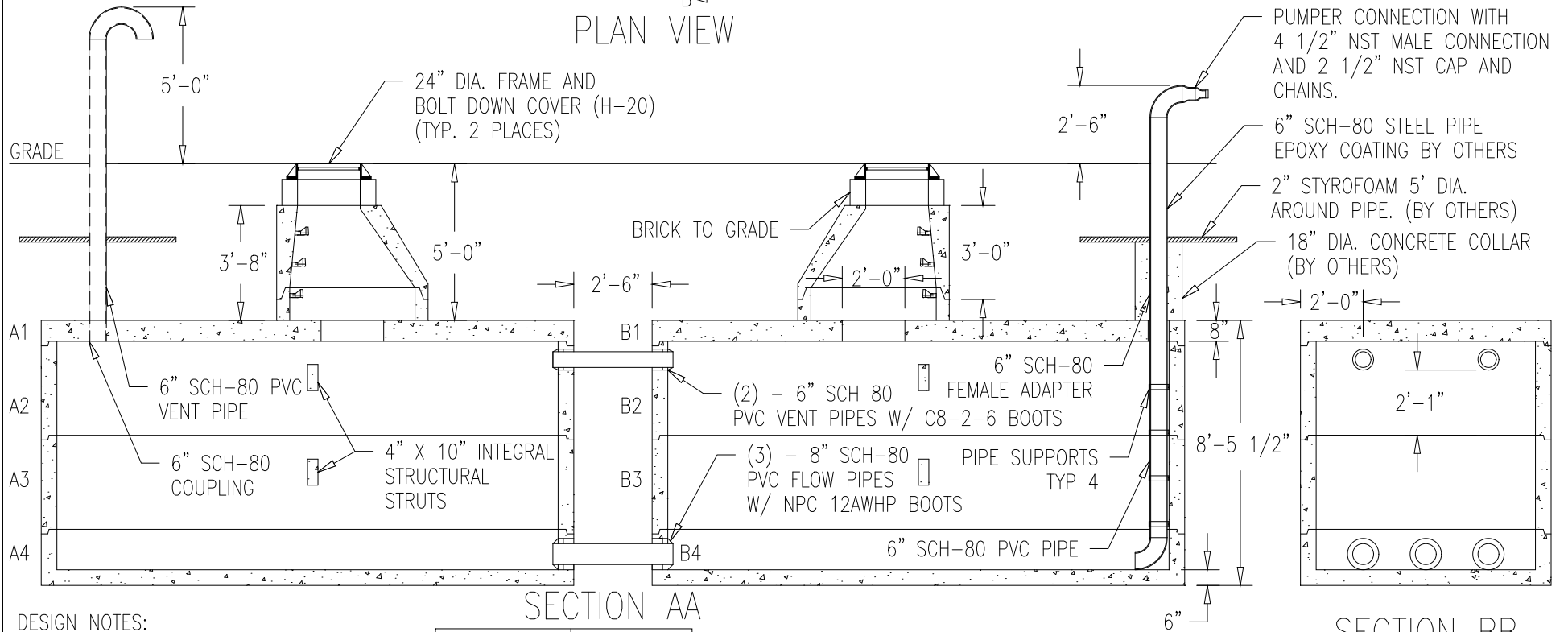


10,000 GALLON FIRE TANK

WEIGHT - 100,400 LBS



PLAN VIEW



SECTION AA

SECTION BB

DESIGN NOTES:

- 1 - CONCRETE 5000 PSI AT 28 DAYS.
- 2 - SHIPLAP JOINTS ARE SEALED WITH A 2 x 1 1/4" STRIP OF ASPHALTIC BUTYL RUBBER.

ITEM	WEIGHT
BASE	15,000 LBS
3'-0" RISER	10,800 LBS
TOP	13,600 LBS

1' BARREL TO BE CAST INTO TOP WITH 8" EXPOSED OUT TOP.
8" HOLE ON END WITH CONCRETE COLLAR.