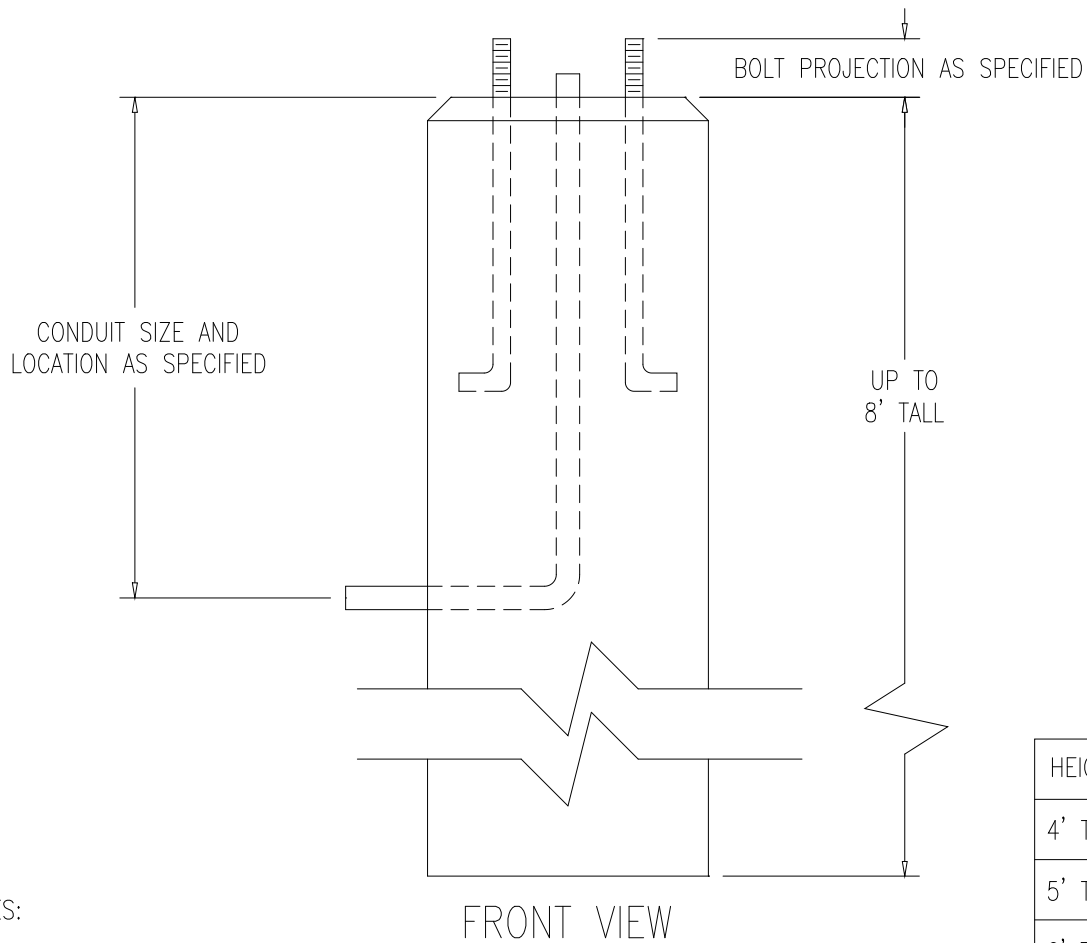
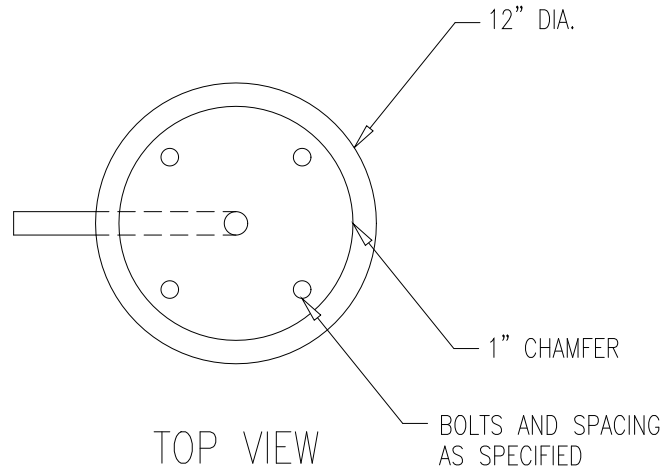


# 12" ROUND LIGHT POLE BASE

ITEM #B-401

WEIGHT - SEE CHART BELOW



DESIGN NOTES:

- 1 - CONCRETE 4000 PSI AT 28 DAYS.
- 2 - REINFORCING IS AS SPECIFIED. (TYP. 4 - #4 VERTICALLY AND #3 STIRRUPS 12" O.C. HORIZONTALLY)
- 3 - ANCHOR BOLTS AND GROUNDING AS SPECIFIED.
- 4 - BALLAST POURED AROUND BASE IF REQUIRED.

| HEIGHT  | WEIGHT  | ITEM # |
|---------|---------|--------|
| 4' TALL | 472 LBS | B-4014 |
| 5' TALL | 590 LBS | B-4015 |
| 6' TALL | 708 LBS | B-4016 |
| 7' TALL | 826 LBS | B-4017 |
| 8' TALL | 944 LBS | B-4018 |