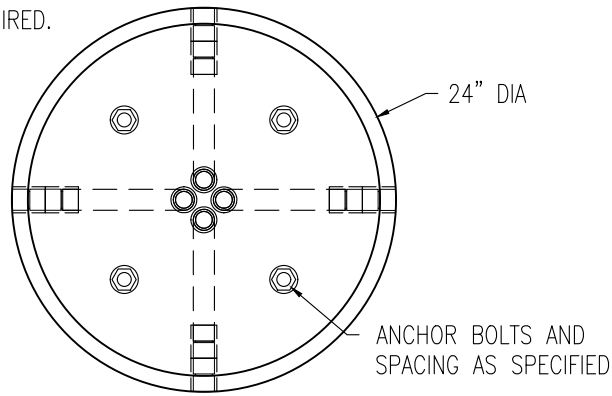
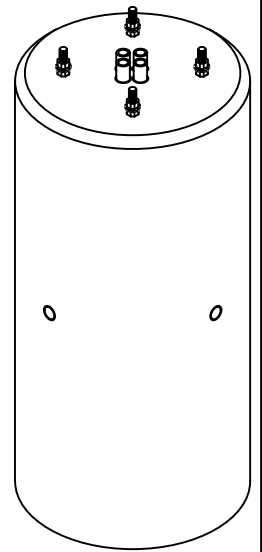


DESIGN NOTES:

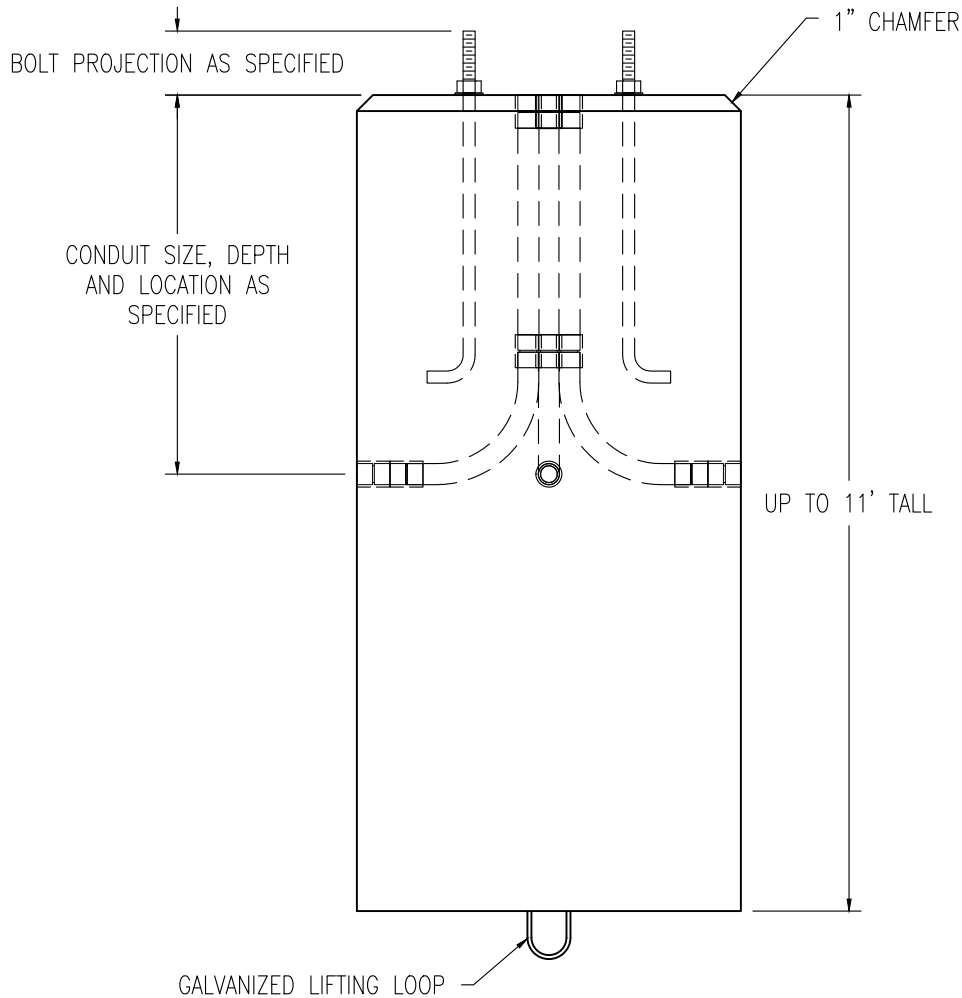
1. CONCRETE TO BE 5,000 PSI @ 28 DAYS.
2. REINFORCING IS AS SPECIFIED: (TYP. 4 - #5 VERTICALLY WWF 3X8 W3.75/W2.1 HORIZONTALLY)
3. ANCHOR BOLTS, CONDUIT AND GROUNDING AS SPECIFIED.
4. BALLAST POURED AROUND BASE IF REQUIRED.



PLAN VIEW



ISO VIEW



FRONT VIEW

APPROXIMATE WEIGHTS	
HEIGHT (FT)	WEIGHT (LBS)
4'-0"	1,860
5'-0"	2,325
6'-0"	2,790
7'-0"	3,255
8'-0"	3,720
9'-0"	4,185
10'-0"	4,650
11'-0"	5,115

PRODUCT: Ø24" ROUND LIGHT POLE BASE

ITEM NUMBER: LB24XHRND

DRAWN BY:DTM

SCALE: 1" = 1'-0"

DATE:9/27/22



**PRECAST
OF MAINE**

139 MAIN STREET, P.O. BOX 307

TOPSHAM, ME 04086

(207) 729-1628

WWW.PRECASTOFMAINE.COM