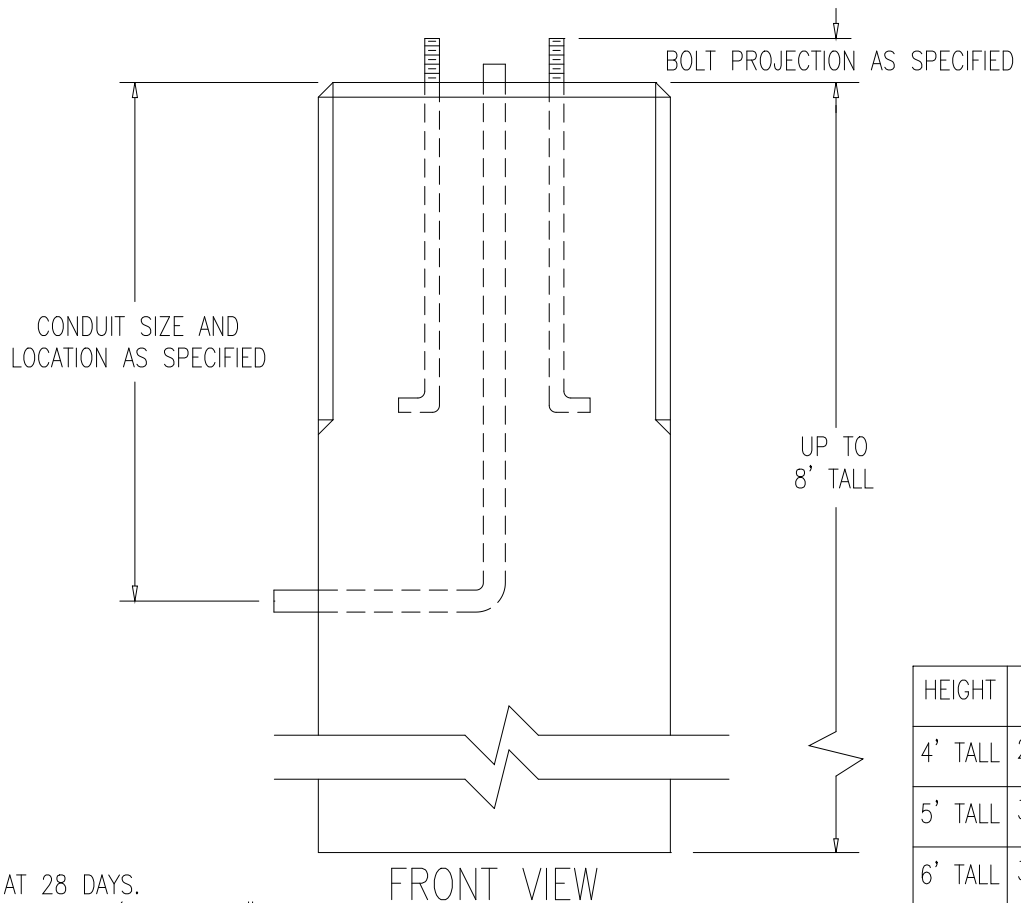
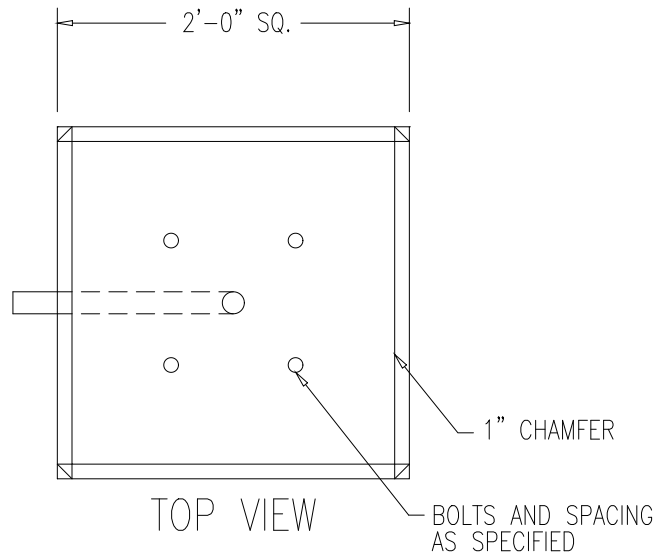


# 24" SQUARE LIGHT POLE BASE

ITEM #B-5

WEIGHT - SEE CHART BELOW



DESIGN NOTES:

- 1 - CONCRETE 4000 PSI AT 28 DAYS.
- 2 - REINFORCING IS AS SPECIFIED. (TYP. 4 - #5 VERTICALLY AND #3 STIRRUPS 12" O.C. HORIZONTALLY)
- 3 - ANCHOR BOLTS AND GROUNDING AS SPECIFIED.
- 4 - BALLAST POURED AROUND BASE IF REQUIRED.

HEIGHT	WEIGHT	ITEM #
4' TALL	2,400 LBS	B-54
5' TALL	3,000 LBS	B-55
6' TALL	3,600 LBS	B-56
7' TALL	4,200 LBS	B-57
8' TALL	4,800 LBS	B-58