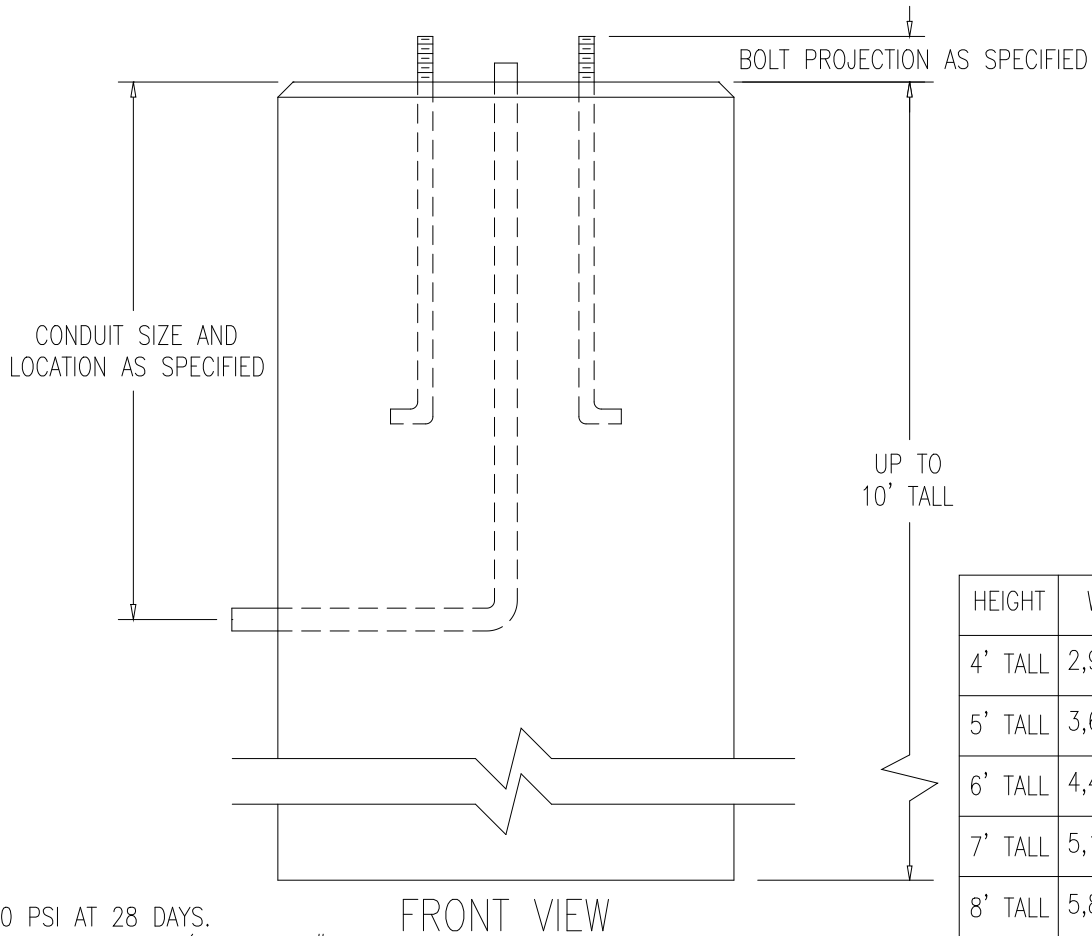
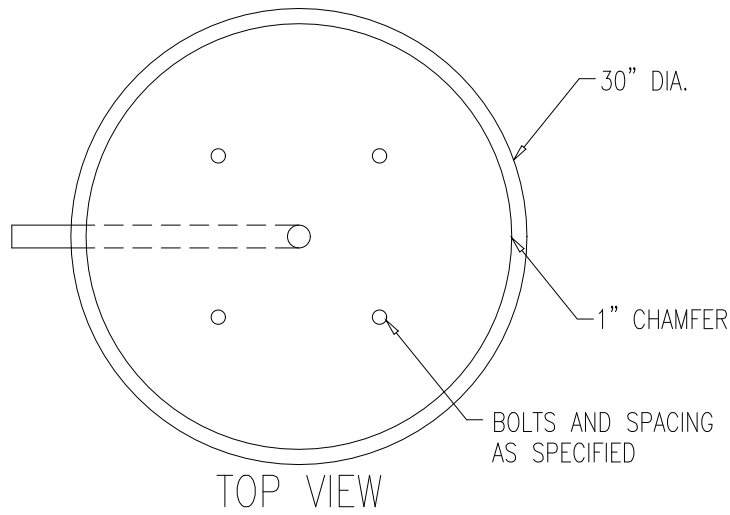


30" ROUND LIGHT POLE BASE

ITEM #B-405

WEIGHT - SEE CHART BELOW



HEIGHT	WEIGHT	ITEM #
4' TALL	2,944 LBS	B-4054
5' TALL	3,680 LBS	B-4055
6' TALL	4,416 LBS	B-4056
7' TALL	5,152 LBS	B-4057
8' TALL	5,888 LBS	B-4058
9' TALL	6,624 LBS	B-4059
10' TALL	7,360 LBS	B-40510

DESIGN NOTES:

- 1 - CONCRETE 4000 PSI AT 28 DAYS.
- 2 - REINFORCING IS AS SPECIFIED. (TYP. 6 - #5 VERTICALLY AND #3 STIRRUPS 12" O.C. HORIZONTALLY)
- 3 - ANCHOR BOLTS AND GROUNDING AS SPECIFIED.
- 4 - BALLAST POURED AROUND BASE IF REQUIRED.