

LARGE DIAMETER MANHOLES AND CATCH BASINS

ITEM #C-6

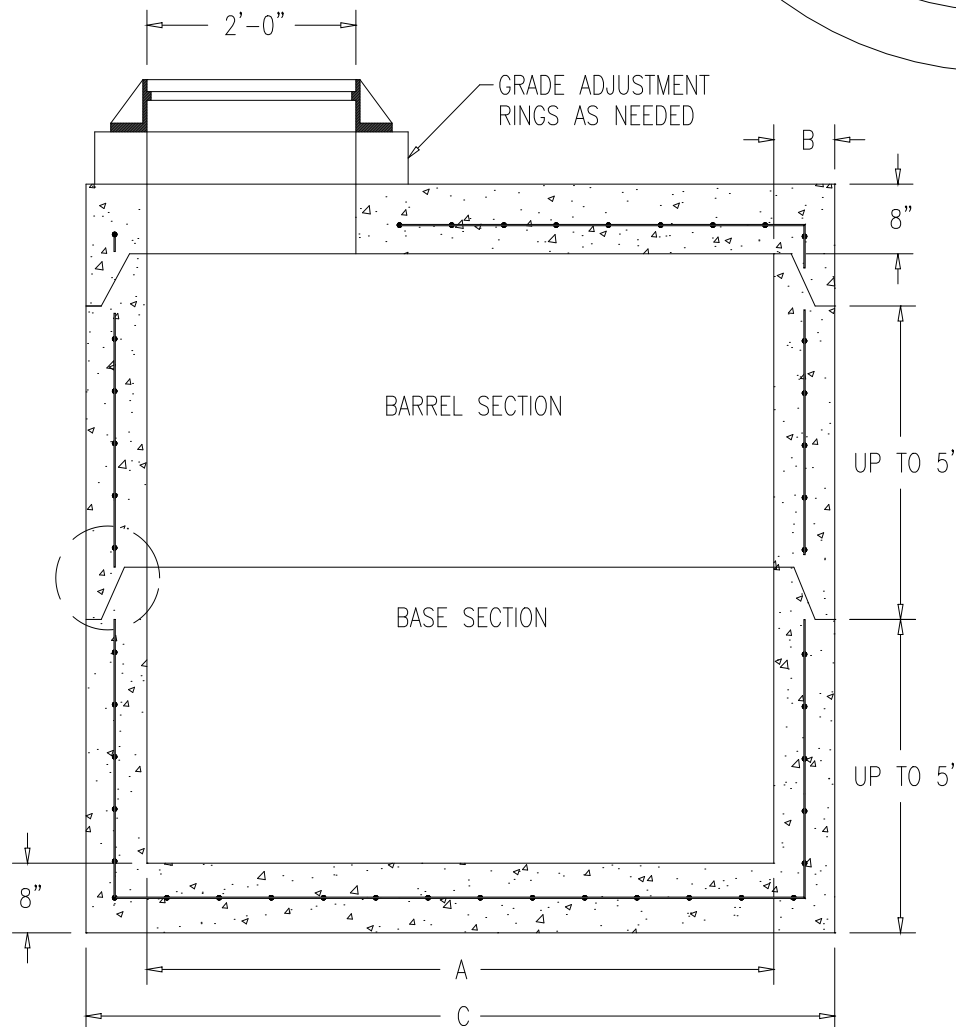
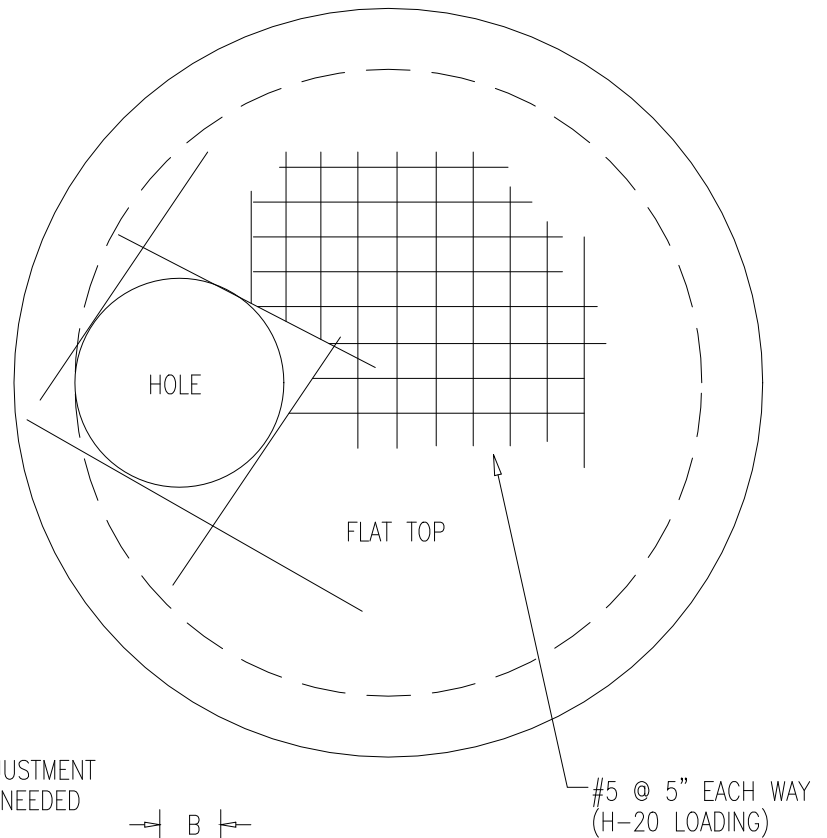
WEIGHT - VARIES WITH DIA AND HEIGHT

DESIGN NOTES:

- 1 - CONCRETE 4000 PSI AT 28 DAYS.
- 2 - DESIGNED TO CONFORM TO A.S.T.M. 478.
- 3 - ALL MANHOLE MATERIAL MEETS H-20 LOADING REQUIREMENTS.
- 4 - JOINTS SEALED WITH BUTYL RUBBER JOINT SEALANT. AASHTO M-19
- 5 - STEPS ARE COPOLYMER POLYPROPYLENE PLASTIC WITH 1/2" GRADE 60 STEEL REBAR CONTINUOUS THROUGHOUT STEP. A.S.T.M. 2146-8 AND A-615.

OPTIONS:

- 1 - DAMP PROOF EXT. COATING.
- 2 - CAST IRON FRAMES AND GRATES/COVERS.
- 3 - FLEXIBLE WATERTIGHT PIPE BOOTS A.S.T.M. C-923.



A	B	C	D	ITEM #
5'	6"	6'-0"	5"	C-601
6'	7"	7'-2"	6"	C-602
8'	9"	9'-6"	7.5"	C-603

