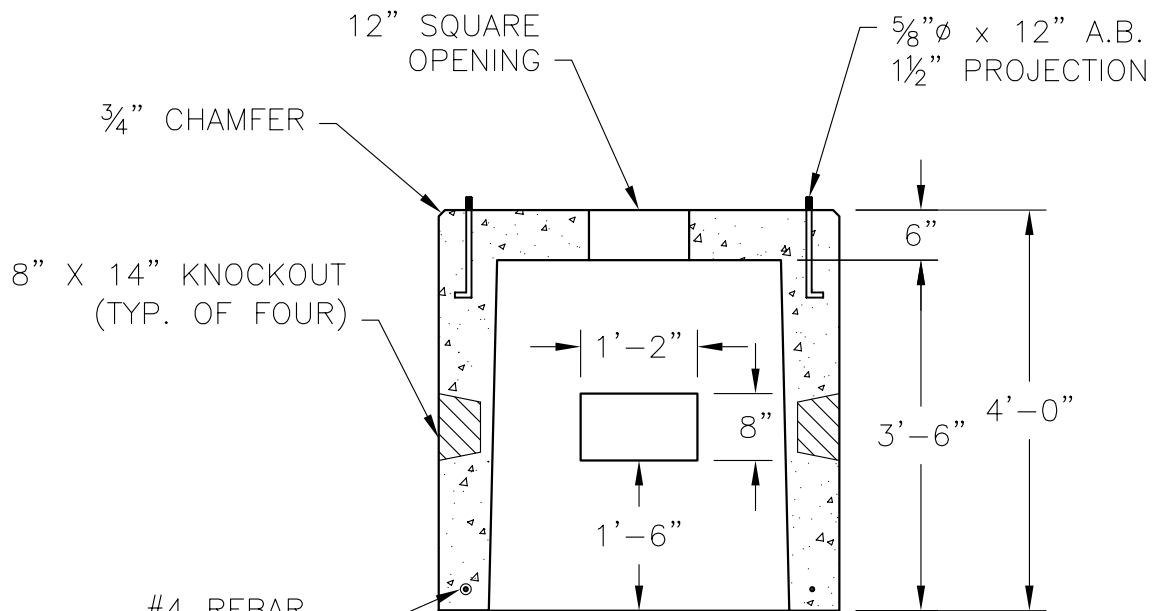


**PLAN VIEW**



**SECTION VIEW**

WEIGHT: 3,600LBS  
(.90 CY)

**NOTES:**

1. CONCRETE TO BE 5,000PSI @ 28 DAYS WITH FIBER REINFORCING.
2. REBAR TO BE GRADE 60, BLACK.
3. STRUCTURE RATED FOR PEDESTRIAN LOADING ONLY.

**PRECAST OF MAINE**

139 MAIN STREET, P.O. BOX 307  
TOPSHAM, ME 04086  
207-729-1628, FAX: 207-729-8710

PROJECT: P-CABINET BASE

CUSTOMER:

ENGINEER:

N/A

DATE:

DRAWN BY:

DRAWING NUMBER:

SCALE:

NTS

MJB

001