

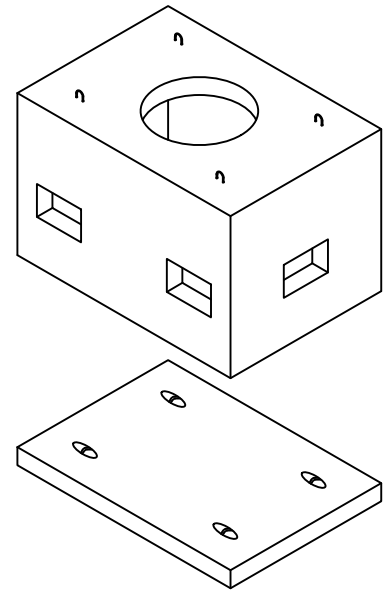
APPROXIMATE WEIGHT:

8,520 LBS (2.13 CY) SPLICE BOX

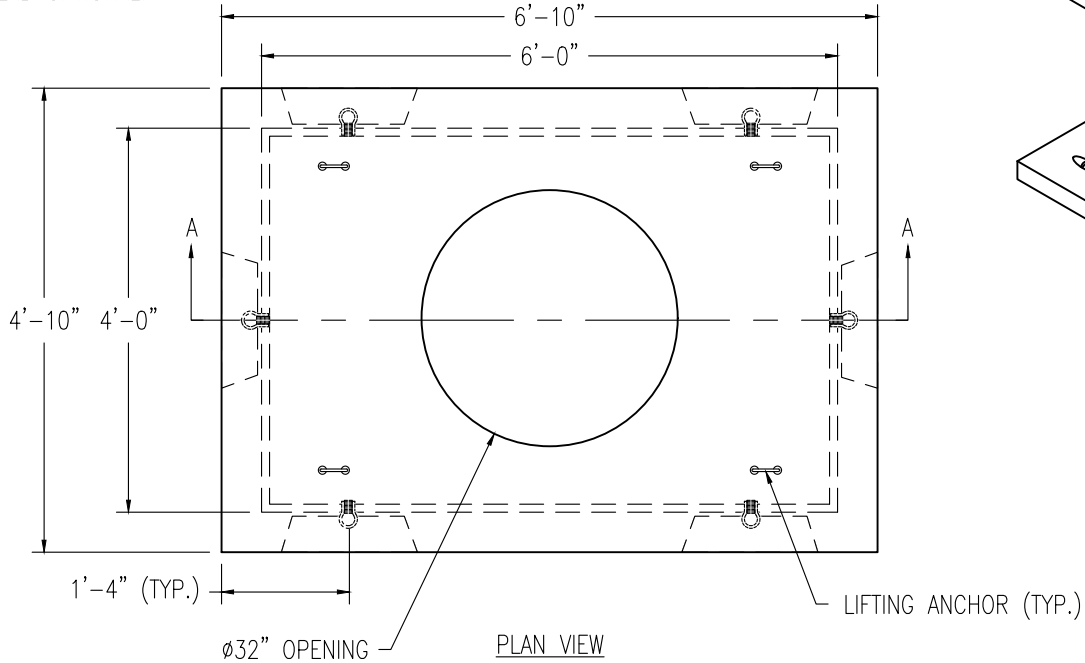
2,440 LBS (0.61 CY) BASE SLAB

DESIGN NOTES:

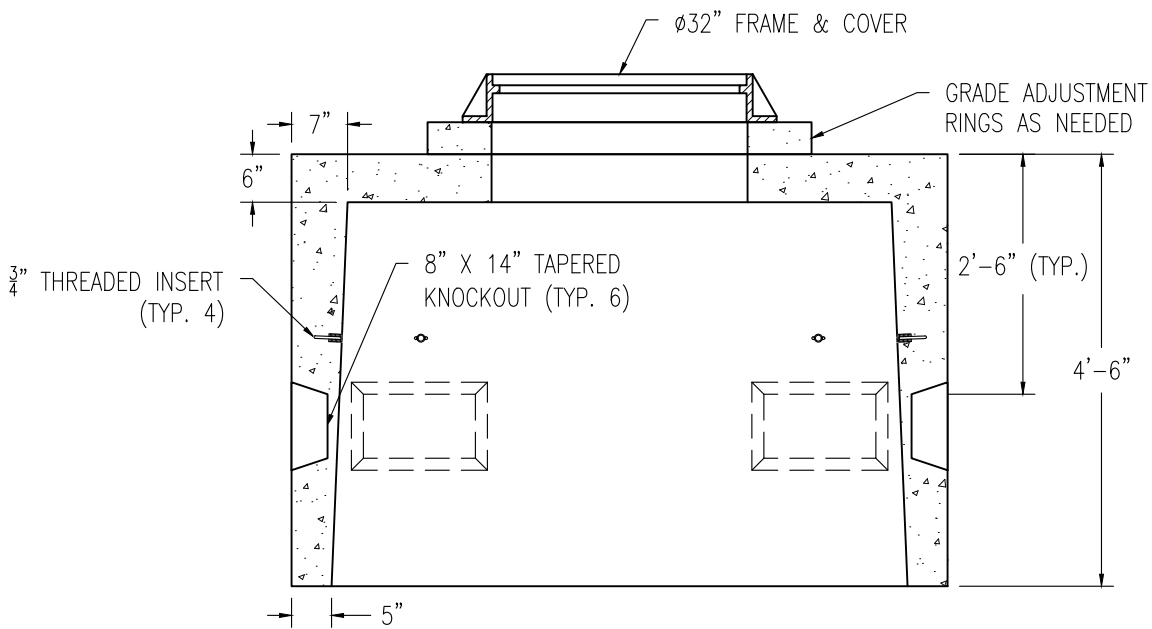
1. CONCRETE TO BE 5,000 PSI @ 28 DAYS.
2. REINFORCING TO BE GRADE 60, BLACK.
3. BOX TO BE RATED FOR H-20 LOADING.
4. BASE SLAB OPTIONAL.



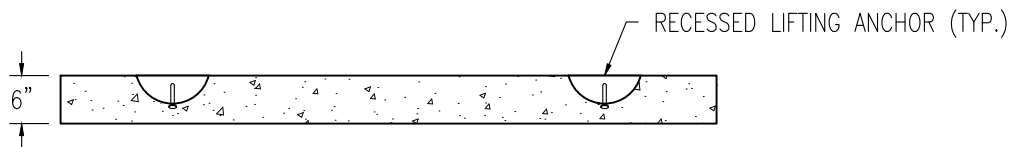
ISO VIEW



PLAN VIEW



SECTION A-A



PRODUCT: 4' X 6' SPLICE BOX

ITEM NUMBER: SB4X6, SB4X6BASE

DRAWN BY:DTM

SCALE: 1/2" = 1'-0"

DATE:3/16/22



**PRECAST
OF MAINE**

139 MAIN STREET, P.O. BOX 307

TOPSHAM, ME 04086

(207) 729-1628

WWW.PRECASTOFMAINE.COM