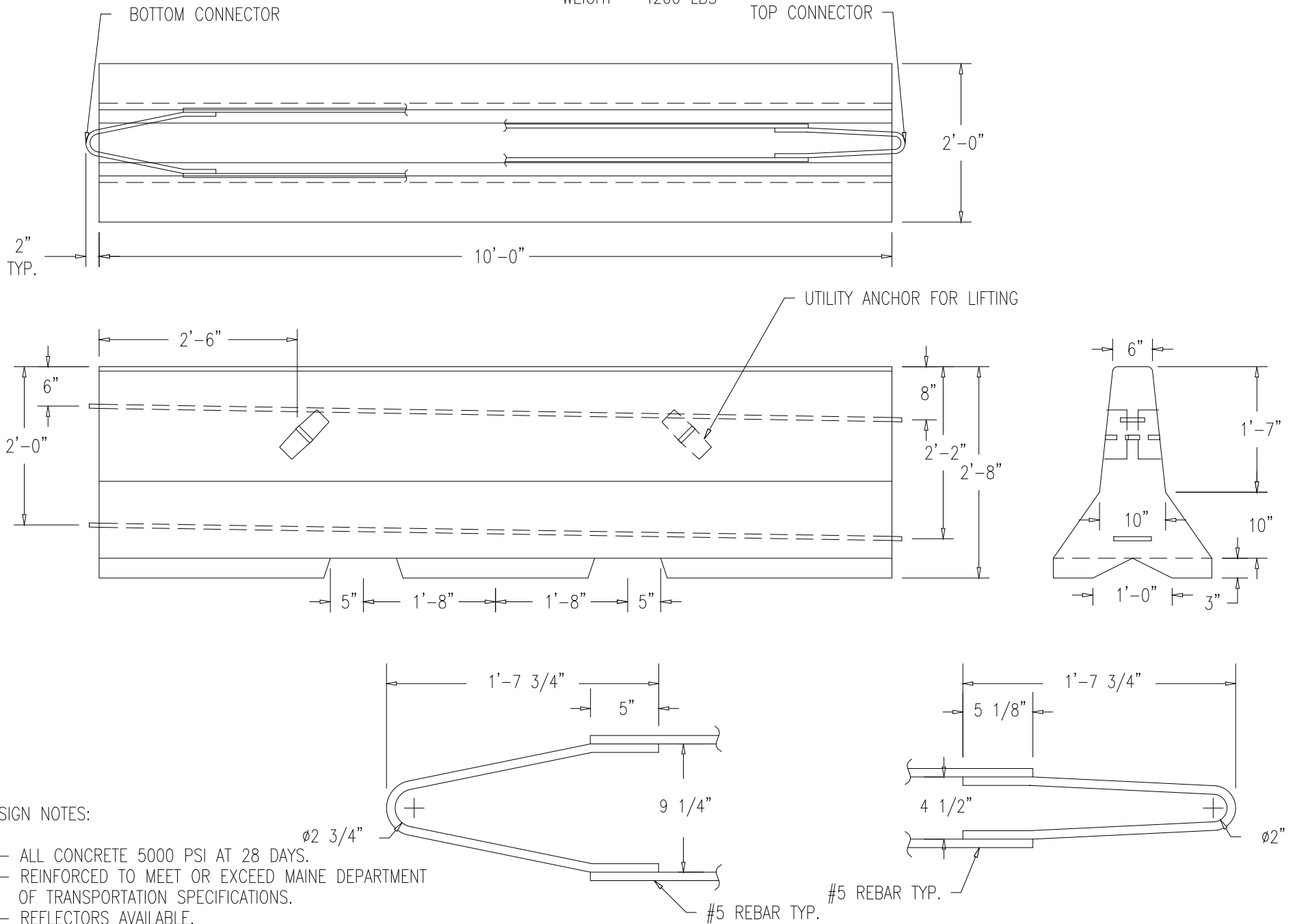


# TEMPORARY CONCRETE BARRIER (TYPE 1)

ITEM #E-4  
WEIGHT - 4200 LBS



## DESIGN NOTES:

- 1 - ALL CONCRETE 5000 PSI AT 28 DAYS.
- 2 - REINFORCED TO MEET OR EXCEED MAINE DEPARTMENT OF TRANSPORTATION SPECIFICATIONS.
- 3 - REFLECTORS AVAILABLE.