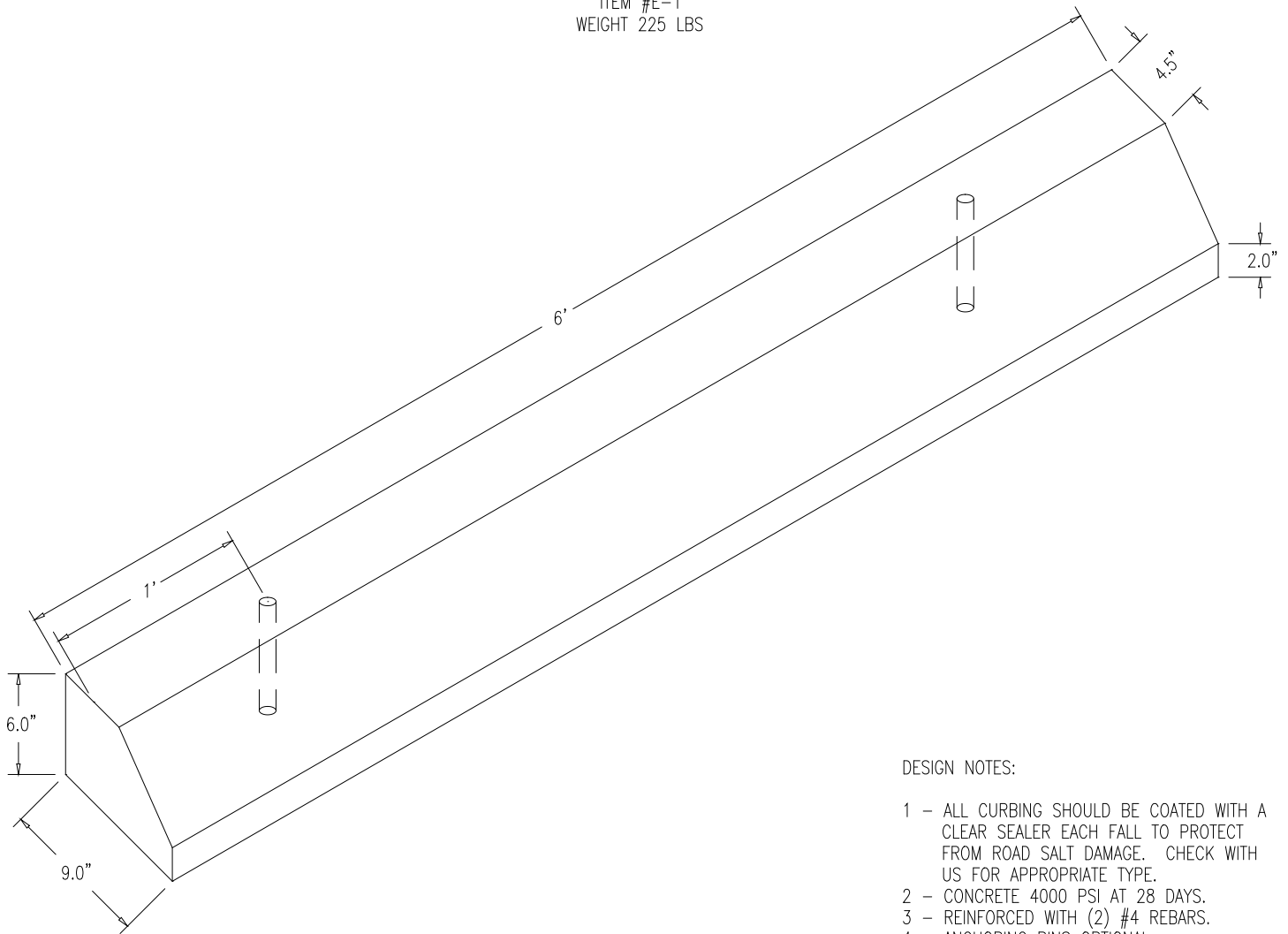


PARKING STOP CURB

ITEM #E-1
WEIGHT 225 LBS



DESIGN NOTES:

- 1 - ALL CURBING SHOULD BE COATED WITH A CLEAR SEALER EACH FALL TO PROTECT FROM ROAD SALT DAMAGE. CHECK WITH US FOR APPROPRIATE TYPE.
- 2 - CONCRETE 4000 PSI AT 28 DAYS.
- 3 - REINFORCED WITH (2) #4 REBARS.
- 4 - ANCHORING PINS OPTIONAL.

PRECAST CONCRETE PRODUCTS OF MAINE, INC. PHONE (207) 729-1628 FAX (207) 729-8710